

## IP Series - LED Luminaire



### IMPORTANT SAFEGUARDS

When using electrical equipment, basic safety precautions should always be followed including the following:

### READ AND FOLLOW ALL SAFETY INSTRUCTIONS

1. All servicing should be performed by qualified service personnel.
2. Unit to be installed only as per configuration described in this instruction manual.
3. All unused wires must be capped to prevent shorting.
4. Do not let power supply cords touch hot surfaces.
5. Do not mount near gas or electric heaters.
6. Use caution when handling batteries.
7. Equipment should be mounted in locations and at heights where it will not be subjected to tampering by unauthorized personnel.
8. Do not use accessory equipment not recommended by the manufacturer.
9. Do not use this equipment for other than intended use.

### SAVE THESE INSTRUCTIONS

#### Installation Instructions

1. Turn off AC power.
2. Open the lens by releasing the lens attachment clips (see fig1).
3. Squeeze the LED module tray retaining clips and remove the LED module tray from the housing (see fig1).
4. Remove the mounting clips from the hardware kit inside the housing (see fig1).
5. Install the mounting brackets to the mounting surface at 35¼ inches center to center. Use the proper anchors depending on the type of mounting surface.
6. Remove only one of the knockouts located at the end of the unit.
7. Install the provided bushing in the open hole.
8. Run AC Flexible cord(SJTW 18AWG) into the installed bushing. Leave sufficient wire length inside the unit to reach the connection wires.
9. Attach the housing to the mounting brackets.
10. Make the proper connections: connect the white wire (neutral) and the black wire (line) to the building power supply. Connect the ground to the green wire. Input AC voltage is indicated on the unit (see fig.2).

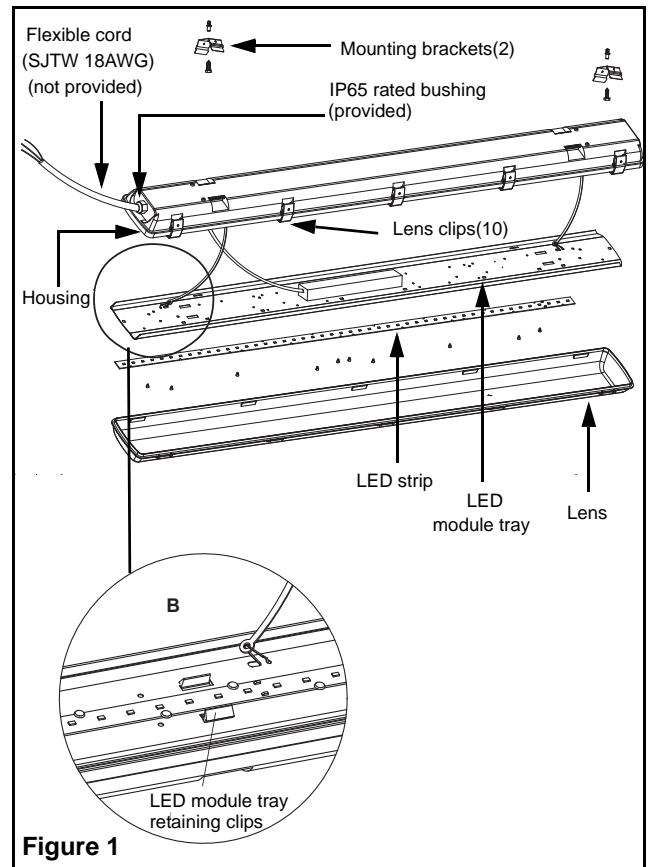


Figure 1

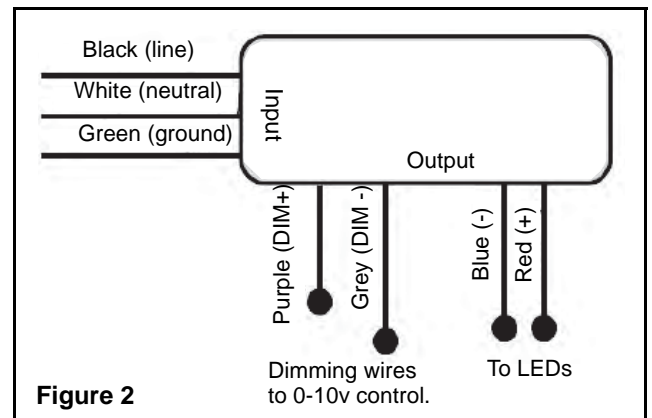


Figure 2

11. If dimming control is required: connect the purple (DIM+) wire to the purple wire from the 0-10v dimming control and the grey (DIM-) wire to the grey wire from the 0-10v dimming control. If the dimming control is not required cap the individual wires with approved wire nuts (see fig.2).
12. Snap the LED module tray to the retaining clips on the housing.
13. Replace the lens cover on the housing and fasten the lens clips.
14. Energize AC power. The LED strip will illuminate.

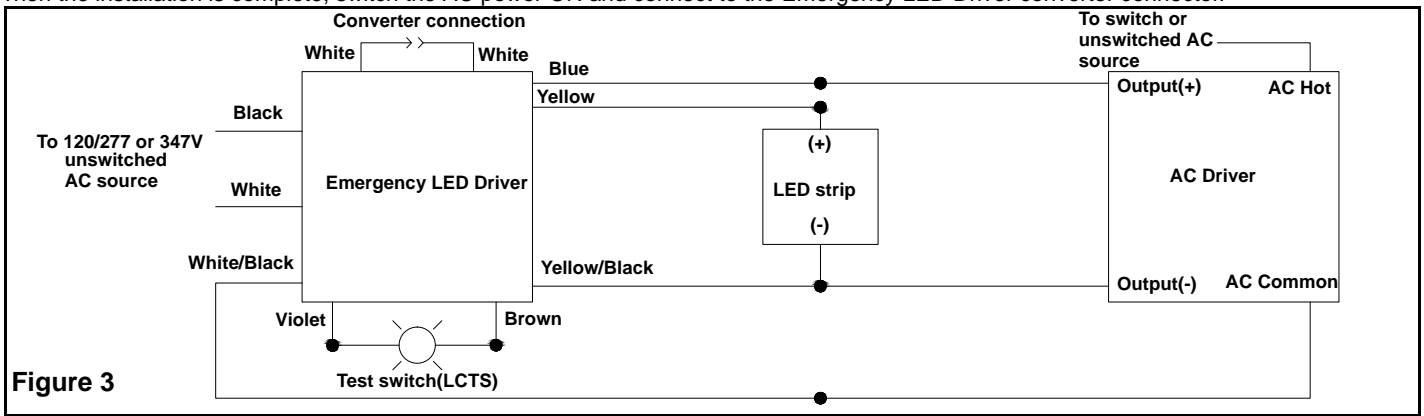
## Emergency LED driver (optional)

### Wiring the AC input (see figure 3)

1. The Emergency LED Driver and AC LED Driver must be on the same branch circuit.
2. The Emergency LED Driver requires an unswitched AC power source of 120/277 or 347 volts.
3. When the Emergency LED Driver is used in a switched luminaire, the AC input to the Emergency LED Driver must be connected to a lead of the luminaire switch (line side of luminaire switch).

### Completing the installation (see figure 3)

When the installation is complete, switch the AC power ON and connect to the Emergency LED Driver converter connector.



## Operation

### Normal Mode:

AC power is present. The AC LED Driver operates the LED strip as intended. The LCTS will be illuminated indicating that the Emergency LED Driver is in the standby charging mode.

### Emergency Mode:

AC power fails. The Emergency LED Driver senses the AC power failure and automatically switches to Emergency Mode. The LED strip will be illuminated for a minimum of 30 minutes. When AC power is restored, the Emergency LED Driver switches the system back to the Normal Mode and resumes battery charging.

## Testing and Maintenance

Pressing the LCTS simulates an AC power failure and forces the system into the Emergency Mode. Testing may also be performed by disconnecting the power to the system.

### Initial Testing:

Allow the unit to charge for approximately 1 hour, then press the LCTS to conduct a short test. Allow a 24 hour charge before conducting a 30 minute test.

### Monthly:

Ensure that the LCTS is illuminated. Conduct a 30 second test by depressing the LCTS.

### Annually:

Ensure that the LCTS is illuminated. Conduct a 30 minute test by disconnecting the power to the Emergency LED Driver unit(s) to be tested.

**IMPORTANT:** Retain test records for inspection by the authority having jurisdiction.



**Warranty:** For the complete warranty information, please refer to our website (<http://www.tnb.ca/en/products/emergency-lighting/>).



## Série IP - Luminaire DEL

**ATTENTION:**

Risque de choc électrique.  
Débrancher l'alimentation avant l'installation.

## IMPORTANTES MESURES DE SÉCURITÉ

Lors de l'utilisation de tout équipement électrique, toujours suivre des mesures de sécurité fondamentales, dont les mesures suivantes:

## LIRE ET SUIVRE TOUTES LES CONSIGNES DE SÉCURITÉ

1. Tout entretien doit être effectué par un personnel d'entretien qualifié.
2. L'installation des unités doit suivre les configurations décrites dans le manuel d'instructions.
3. Tous les fils inutilisés doivent être isolés adéquatement pour empêcher un court-circuit.
4. Ne pas laisser les cordons d'alimentation entrer en contact avec des surfaces chaudes.
5. Ne pas monter à proximité de dispositifs de chauffage au gaz ou électriques.
6. Toujours manipuler les batteries avec prudence.
7. Monter l'équipement dans des endroits et à des hauteurs ou celui-ci ne sera pas facilement soumis à des tentatives d'altération par un personnel non autorisé.
8. L'utilisation d'équipement auxiliaire non recommandé par le fabricant risque d'entraîner une condition dangereuse.
9. Ne pas utiliser cet équipement pour un usage autre que celui prévu.

## Directives d'installation

1. Couper l'alimentation c.a.
2. Dégager les agrafes de retenue de la lentille puis l'ouvrir (fig. 1).
3. Serrer les agrafes de retenue de plaque de montage à DEL puis le retirer du boîtier (fig. 1).
4. Enlever les agrafes de montage du jeu de pièces à l'intérieur du boîtier (fig. 1).
5. Installer les supports de montage à la surface, 35% po centre à centre. Utiliser les ancrages appropriés pour la surface.
6. Retirer une des débouchures situées à l'extrémité de l'unité.
7. Installer la bague fournie dans le trou ouvert.
8. Acheminer un cordon souple c.a. (SJTW 18 AWG) à travers la bague déjà installée. Laisser une longueur de fils suffisante à l'intérieur de l'unité pour pouvoir atteindre les fils de connexion.
9. Fixer le boîtier aux supports de montage
10. Effectuer les connexions : connecter le fil blanc (neutre) et le fil noir (ligne) à l'alimentation du bâtiment. Connecter la mise à la terre au fil vert. La tension d'entrée est indiquée sur l'unité (fig.2).

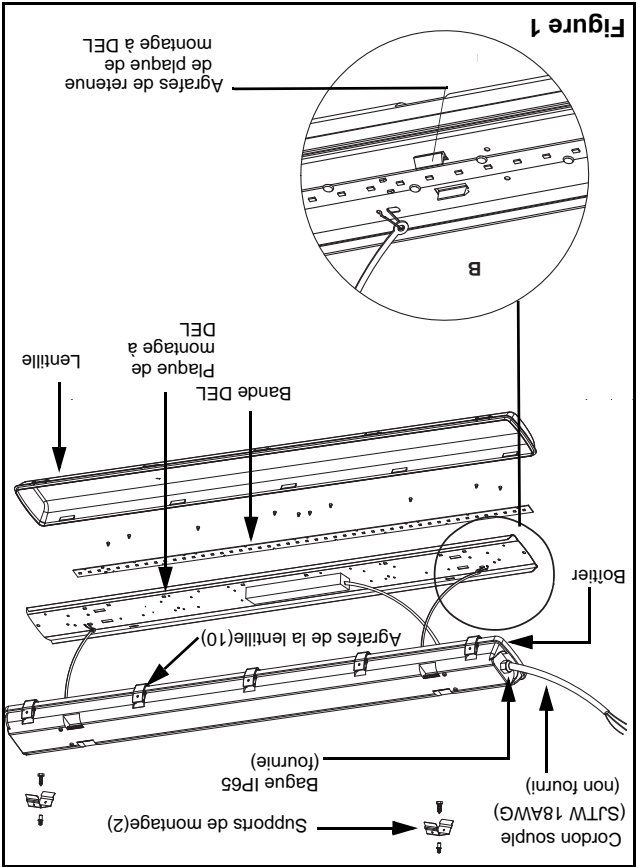


Figure 1

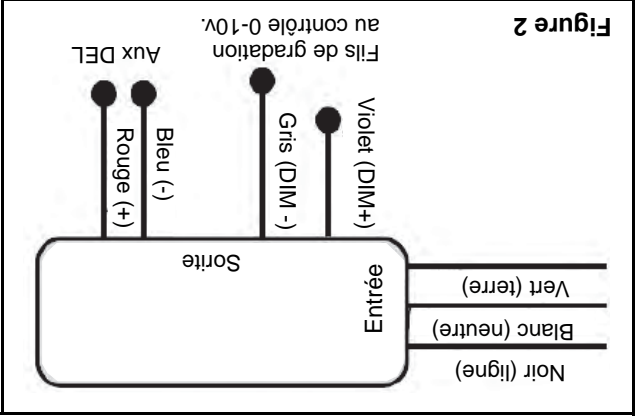


Figure 2