

## CMPS-E Series

### Thermoplastic pictogram exit sign



#### Features

- Energy efficient, long-life white LEDs consuming 4.2W at normal operation
- Dual voltage input capability 120/347VAC
- Universal single and double face
- Automatic, temperature compensated, pulse type charger
- Low voltage disconnect prevents over discharge of battery
- Automatic brownout protection
- Battery lock-out prevents discharge during installation
- Comes standard with three pictogram legends for direction selection
- Red LED charger monitor
- Injection-molded off-white thermoplastic ABS housing
- Fast and easy installation with snap-together design
- Ceiling, wall or end mount installation
- CSA C22.2 no.141-10 listed
- Selection of self-powered using a 3.6V Ni-Cd battery and AC model
- Comes standard with one (1) year warranty

Warranty details at: [www.tnb.ca/en/brands/emergi-lite](http://www.tnb.ca/en/brands/emergi-lite)



#### Circuitry

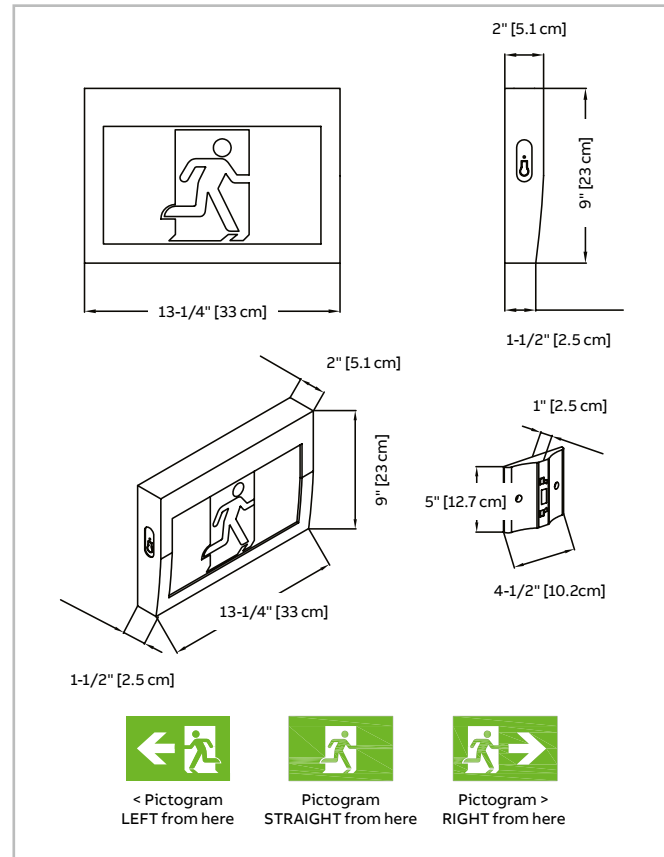
Emergency duration	≥ 2 Hours
Recharge time	24 Hours
Output wattage	CM-PS-SP: 1W CM-PS-AC: 1W
Light Source	Ultra bright LED
Color temperature	6500K- 7500K
Ni-Cd Battery:	CM-PS-SP: 3.6V 1300mAh SC
Product size	335 X 225 X 51/mm

#### Power consumption and unit rating

Series	Model	AC specs			
		Wattage	Current	Efficiency	
CM-PS	AC-remote	120V, 50/60 Hz	1.5W	0.01A	0.96P
		277V, 50/60 Hz	2W	0.01A	0.92P
		347V, 50/60 Hz	2.4W	0.01A	0.91P
	Self-powered	120V, 50/60 Hz	2.5W	0.24A	0.98P
		277V, 50/60 Hz	3W	0.014A	0.93P
		347V, 50/60 Hz	3.5W	0.017A	0.92P

#### Dimensions

Dimensions are approximate and subject to change.



#### Ordering information

Series	Voltage	Brand
CM-PS	-AC= 120/347VAC -SP= 120/347VAC, self-powered (120 mins.)	-E= Emergi-Lite

Example: CM-PS-AC-E