

new product



MPRE Series

Reduced Size
Thermoplastic, 6 and 12V

FEATURES

- Designed with aesthetics, ease of installation and performance in mind
- Simple, compact and contemporary design
- Wall, optional ceiling or pendant mount (optional)
- Two-piece housing of injection-molded thermoplastic
- Two MR16 LED lamps, shielded by clear polycarbonate covers
- Sealed, maintenance-free, Lead-Calcium batteries
- Dual voltage input: 120/347VAC.
- Up to 48W of total battery capacity
- Auto-diagnostics (optional)
- NEXUS® interface (optional)
- Advanced diagnostics capabilities (specific load requirements)
- Meets or exceeds CSA 22.2 No.141-15

See warranty details at: www.tnb.ca/en/brands/emergi-lite



TYPICAL SPECIFICATIONS

Supply and install the **Emergi-Lite® MPRE Series** thermoplastic unit equipment. The unit construction shall include a housing and a front cover of high-impact thermoplastic moulded in white. No screws shall be necessary to hold the front cover to the housing. The unit shall be equipped with two emergency heads with adjustable swivels and LED lamps of _____ V _____ W protected by snap-on shock-absorbent, clear polycarbonate covers. The unit shall be suitable for wall mount or as otherwise specified.

The unit equipment shall have a dual-voltage input of 120/347VAC and shall be equipped with a test switch and a green pilot light, located on the left side. The housing shall host the battery and the battery charger. The battery charger and other unit functions shall be driven by a micro-controller. All electronic circuitry shall be installed on a single printed circuit board. When specified, the unit equipped with auto-test shall automatically self-test for one minute every 30 days, 10 minutes every 6 months and 30 minutes annually. When a fault is detected, the bi-colour pilot light shall turn from green to red and start flashing. A legend on a label next to the pilot light shall display the source of failure: battery, charger circuitry or lamp load.

The unit equipment shall be listed to the standard CSA 22.2 No.141-15.

The unit equipment shall be **Emergi-Lite®** model: _____.

WIRE GUARDS

460.0080-E	wall mount or ceiling mount
------------	-----------------------------

PREMIER™ FAMILY



Premier™ Combo Series
P. 56-57



Premier™ Exit Series
P. 55

REPLACEMENT LAMPS

ORDERING CODE	LAMP TYPE	VOLTAGE/ WATTAGE
580.0093-E	MR16 LED	12V-4W
580.0097-E	MR16 LED	6V-4W
580.0104-E	MR16 LED	12V-5W
580.0106-E	MR16 LED	12V-6W
580.0122-E	MR16 LED	6V-5W

WALL MOUNT



new product

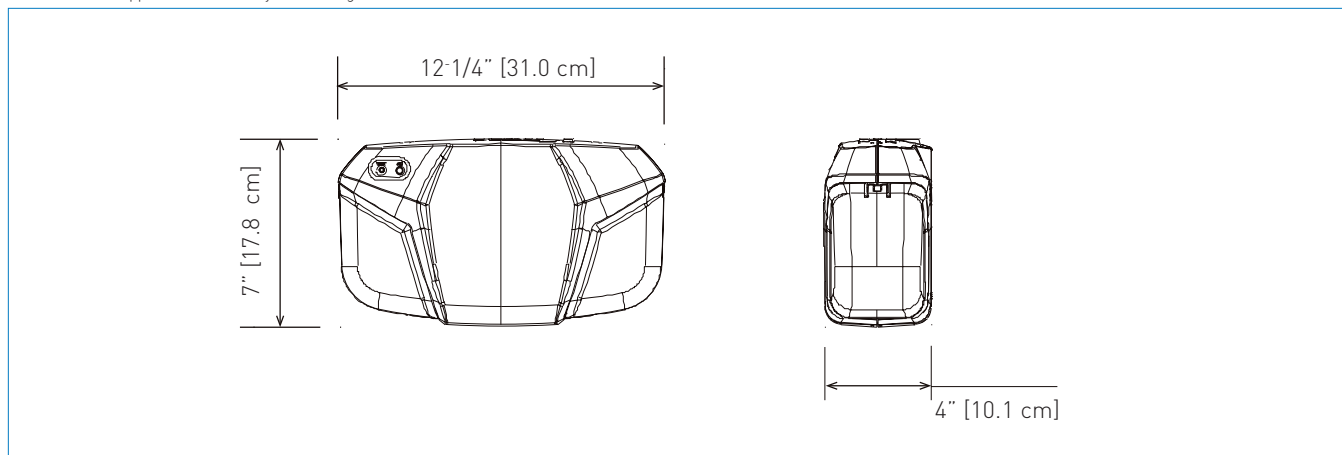
MPRE Series

Reduced Size
Thermoplastic, 6 and 12V



DIMENSIONS

Dimensions are approximate and subject to change.



POWER CONSUMPTION AND UNIT RATING

MODEL	AC SPECS		WATTAGE CAPACITY				
			30MINS	1H	1,5H	2H	4H
06MPRE	120/ 347VAC	.11/ .04A	24W	14W	10W	8W	4W
12MPRE		.21/ .07A	48W	28W	20W	16W	8W

ORDERING INFORMATION

SERIES	CAPACITY	COLOUR	VOLTAGE	DIAGNOSTIC	OPTIONS	HEADS	LAMPS
06MPRE 6V	24= 24W	W= factory white B= black	Blank= 120/347VAC 2= 120/277VAC 15 = 120/208/220-240V 50/60Hz input ¹	Blank= standard U= auto-diagnostics ¹ UN= auto-diagnostics non-audible ¹ NEX= Nexus [®] system interface ² NEXRF= Nexus [®] wireless system interface ²	Blank= no options CM= ceiling mount D3= time delay (15 minutes) LC= line cord (120V) PM= pendant mount ¹	/0= no head /2= two heads	LA= MR16 LED, 6V-4W LB= MR16 LED, 6V-5W LG= MR16 LED, 12V-4W LI= MR16 LED, 12V-5W LJ= MR16 LED, 12V-6W
12MPRE= 12V	48= 48W			¹ Minimum lamp load required: 20% of unit capacity. ² Not all options are available with the Nexus [®] system. Please consult your sales representative .	¹ Pendant kit (sold separately, see p. 189)		

EXAMPLE: 06MPRE24WUCM/2LA