

Survive-All™ EF39 & EF39P Series

NEMA-4X Certified Remote Fixture



FEATURES

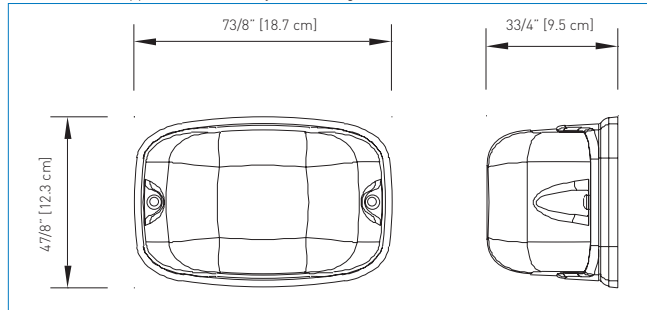
- Fully gasketed with a selection of cast aluminum or polycarbonate back plate
 - Clear polycarbonate UV and impact resistant lens
 - Choice of single or double lamp models
 - Available in 6, 12 and 24V models LED
 - Easy lamp replacement
 - Comes standard with tamper-proof screws and bit
 - NSF Certified for food processing plants
 - NEMA-4X Certified¹
 - CSA Certified to C22.2 No. 141-15
 - Suitable for indoor/outdoor installation
- See warranty details at: www.tnb.ca/en/brands/emergi-lite

¹ For EF39P, units are NEMA-4X Certified when installed using a circular NEMA-4X rated junction box (sold separately by ABB under P/N CE365D-CAR or CE365DW-CAR and with plugs P/N P7701W-CAR).



DIMENSIONS

Dimensions are approximate and subject to change.



TYPICAL SPECIFICATIONS

Supply and install **Emergi-Lite® EF39P Series** remote emergency lighting fixtures. These remote fixtures will consist of either single or double lamp configurations according to the design. These fixtures shall be fully gasketed with a UV resistant and fire retardant polycarbonate back plate with a clear heavy-duty UV resistant polycarbonate lens. The unit shall be equipped with two emergency heads with tool-less adjustable swivels (lamps of 12W or less). Units shall be NEMA-4X and NSF certified and specifically designed for high abuse areas, wet and cold weather locations, food processing plants, as well in applications requiring a resistance to corrosive agents. The standard unit will come with stainless steel tamper-proof screws and bit.

The remote fixture shall be certified to CSA C22.2 No. 141. The head(s) shall be fully adjustable without tools and should be equipped with LED lamp(s) of _____ V _____ W.

The remote unit shall be the **Emergi-Lite®** model: _____ .

REPLACEMENT LAMPS

| MODEL | LAMP TYPE | VOLTAGE/WATTAGE |
|------------|-----------|-----------------|
| 580.0097-E | MR16 LED | 6V-4W |
| 580.0122-E | MR16 LED | 6V-5W |
| 580.0093-E | MR16 LED | 12V-4W |
| 580.0098-E | MR16 LED | 24V-4W |
| 580.0100-E | MR16 LED | 24V-6W |
| 580.0104-E | MR16 LED | 12V-5W |
| 580.0106-E | MR16 LED | 12V-6W |

ORDERING INFORMATION: EF39P

| SERIES | NUMBER OF LAMPS | LAMP TYPE | COLOUR | LAMP TYPE/VOLTAGE/WATTAGE | OPTIONS |
|---|---------------------------------|-----------|---|--|---|
| EF39P= polycarbonate NEMA-4X back plate | Blank= one lamp D= two lamps | M= MR16 | Blank= factory white -B= black -G= grey | -LA= MR16 LED, 6V-4W -LB= MR16 LED, 6V-5W -LG= MR16 LED, 12V-4W -LI= MR16 LED, 12V-5W -LJ= MR16 LED, 12V-6W -LL= MR16 LED, 24V-4W | -SM= surface mount ¹ ¹ surface plastic junction box included |

EXAMPLE: EF39PDM-B-LI

ORDERING INFORMATION: EF39

| SERIES | NUMBER OF LAMPS | LAMP TYPE | COLOUR | LAMP TYPE/VOLTAGE/WATTAGE |
|-----------------------------------|---------------------------------|-----------|---|---|
| EF39= die-cast NEMA-4X back plate | Blank= one lamp D= two lamps | M= MR16 | Blank= factory white -B= Black -G= grey | -LA= MR16 LED, 6V-4W -LB= MR16 LED, 6V-5W -LG= MR16 LED, 12V-4W -LI= MR16 LED, 12V-5W -LJ= MR16 LED, 12V-6W -LL= MR16 LED, 24V-4W -LM= MR16 LED, 24V-6W -LW= MR16 LED, 120V-4W |

EXAMPLE: EF39DM-LL