

## Carlson Weatherproof nonmetallic boxes

### Nonmetallic weatherproof boxes



#### Type FSE single-gang box

- For dead-end terminations
- Mounting feet included
- 18 cu. in. volume
- Grounding strap included

FSEB-050



Cat. no.	Colour	Size (in.)	Std. ctn.
FSEB-050	Grey	½	12
FSEB-075	Grey	¾	12
FSEB-100	Grey	1	8



#### Type FSS single-gang box

- For multiple dead-end terminations or where additional support is required in stub-up applications
- Mounting feet included
- 18 cu. in. volume
- Grounding strap included

FSSB-050



Cat. no.	Colour	Size (in.)	Std. ctn.
FSSB-050	Grey	½	12
FSSB-075	Grey	¾	12
FSSB-100	Grey	1	8



#### Type FSC single-gang box

- For through terminations
- Mounting feet included
- 18 cu. in. volume
- Grounding strap included

FSCB-050



Cat. no.	Colour	Size (in.)	Std. ctn.
FSCB-050	Grey	½	12
FSCB-075	Grey	¾	12
FSCB-100	Grey	1	8



#### Type FSCC single-gang box

- For multiple through terminations or where additional support is required in stub-up applications
- Mounting feet included
- 18 cu. in. volume
- Grounding strap included

C979EFN



Cat. no.	Colour	Size (in.)	Std. ctn.
C979EFN	Grey	¾	15
C979FFN	Grey	1	15



#### Single-gang T box

- With three ½" threaded holes
- Mounting feet included
- Use with nonmetallic wiring systems only
- Grounding strap included
- Can be used with Red Dot lampholder

WPB-T050-G



Cat. no.	Colour	Size (in.)	Std. ctn.
WPB-T050-G	Grey	½	8
WPB-T050-W	White	½	5

## Carlson Weatherproof nonmetallic boxes

### Nonmetallic weatherproof boxes



#### Type FDE single-gang deep box

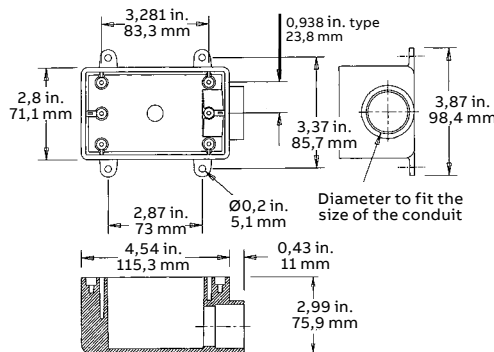
- For dead-end terminations where large device or where additional support is required
- Mounting feet included
- 25 cu. in. volume
- Grounding strap included

C9801EN



Cat. no.	Colour	Size (in.)	Std. ctn.
C9801DN	Grey	½	10
C9801EN	Grey	¾	10

#### Diagrams



#### Type FDC single-gang deep box

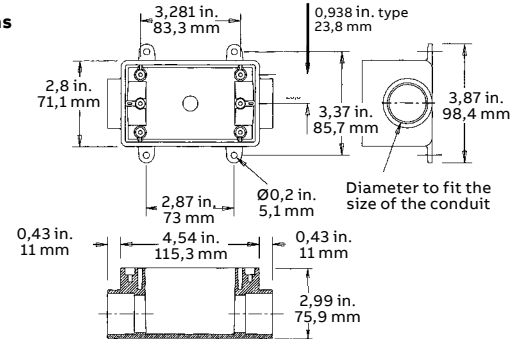
- For through terminations where large device or where additional support is required
- Mounting feet included
- 25 cu. in. volume
- Grounding strap included

C9811EN



Cat. no.	Colour	Size (in.)	Std. ctn.
C9811EN	Grey	¾	10
C9811FN	Grey	1	10

#### Diagrams



FDB-BLANK

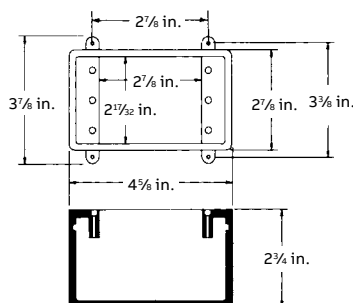
#### Type FD single-gang deep box

- For terminations where hub requirements vary according to application
- Hubs can be added easily with flared wood bit or hole saw
- Mounting feet included
- 18 cu. in. volume
- Grounding strap included



Cat. no.	Colour	Size (in.)	Std. ctn.
FDB-BLANK	Grey	-	6

#### Diagrams



WPRB-T050-W

#### Round T box

- With five ½" threaded holes
- Mounting feet included
- Use with nonmetallic wiring systems only
- Grounding strap included
- Can be used with Red Dot lampholder



Cat. no.	Colour	Size (in.)	Std. ctn.
WPRB-T050-G	Grey	½	8
WPRB-T050-W	White	½	8



WPRNDCV-G

#### Round T box flat cover

- Gasket included



Cat. no.	Colour	Std. ctn.
WPRNDCV-G	Grey	20
WPRNDCV-W	White	20

# Carlson Weatherproof nonmetallic boxes

## Nonmetallic weatherproof boxes



### Type FSE 2-gang box

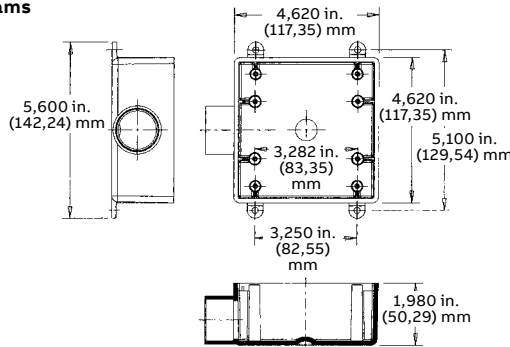
- For dead-end terminations where two devices or additional capacity is required
- Mounting feet included
- 32 cu. in. volume
- Grounding strap included

FSEB2-075



Cat. no.	Colour	Size (in.)	Std. ctn.
FSEB2-050	Grey	½	5
FSEB2-075	Grey	¾	10
FSEB2-100	Grey	1	4

### Diagrams



### Type FSC 2-gang box

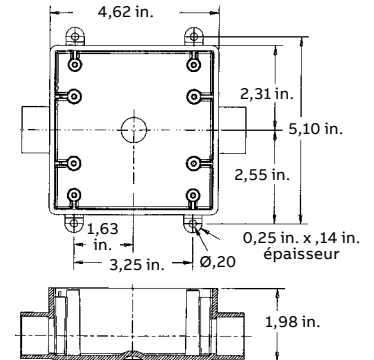
- For through terminations where two devices or additional capacity is required
- Mounting feet included
- 32 cu. in. volume
- Grounding strap included

FSCB2-050



Cat. no.	Colour	Size (in.)	Std. ctn.
FSCB2-050	Grey	½	4
FSCB2-075	Grey	¾	10
FSCB2-100	Grey	1	10

### Diagrams



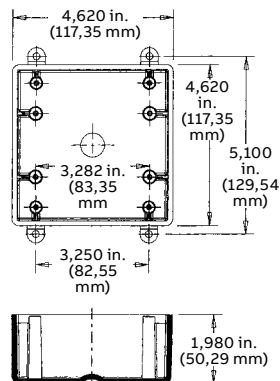
CE9802

### Type FS 2-gang box

- For terminations where hub requirements vary according to application
- Hubs can be added easily with flared wood bit or hole saw
- Mounting feet included
- 32 cu. in. volume
- Grounding strap included

Cat. no.	Colour	Size (in.)	Std. ctn.
CE9802	Grey	-	10

### Schémas



WPB2-T7550-G

### 2-Gang T box

- With three ½" and four ¾" threaded holes
- Mounting feet included
- Use with nonmetallic wiring systems only
- Grounding strap included
- Can be used with Red Dot lampholder



Cat. no.	Colour	Size (in.)	Std. ctn.
WPB2-T7550-G	Grey	½-¾	6
WPB2-T7550-W	White	½-¾	6