

Microelectric

Highly corrosion-resistant meter sockets

For challenging environmental conditions, such as coastal zones, where corrosion can significantly shorten product life expectancy, Microelectric corrosion-resistant meter sockets are the solution.

The CR (Corrosion Resistant) option is now available on three of our best-selling meter sockets: the BQ2, BE1 and BS2 Series. The CR option offers homeowners durability, functionality and peace of mind for years to come with no more prematurely rusted-out enclosures! With the CR option, meter sockets withstand environmental corrosion and enclosure remain rust-free longer.

Corrosion-resistant option on selected Microelectric BQ2, BE1 and BS2 models

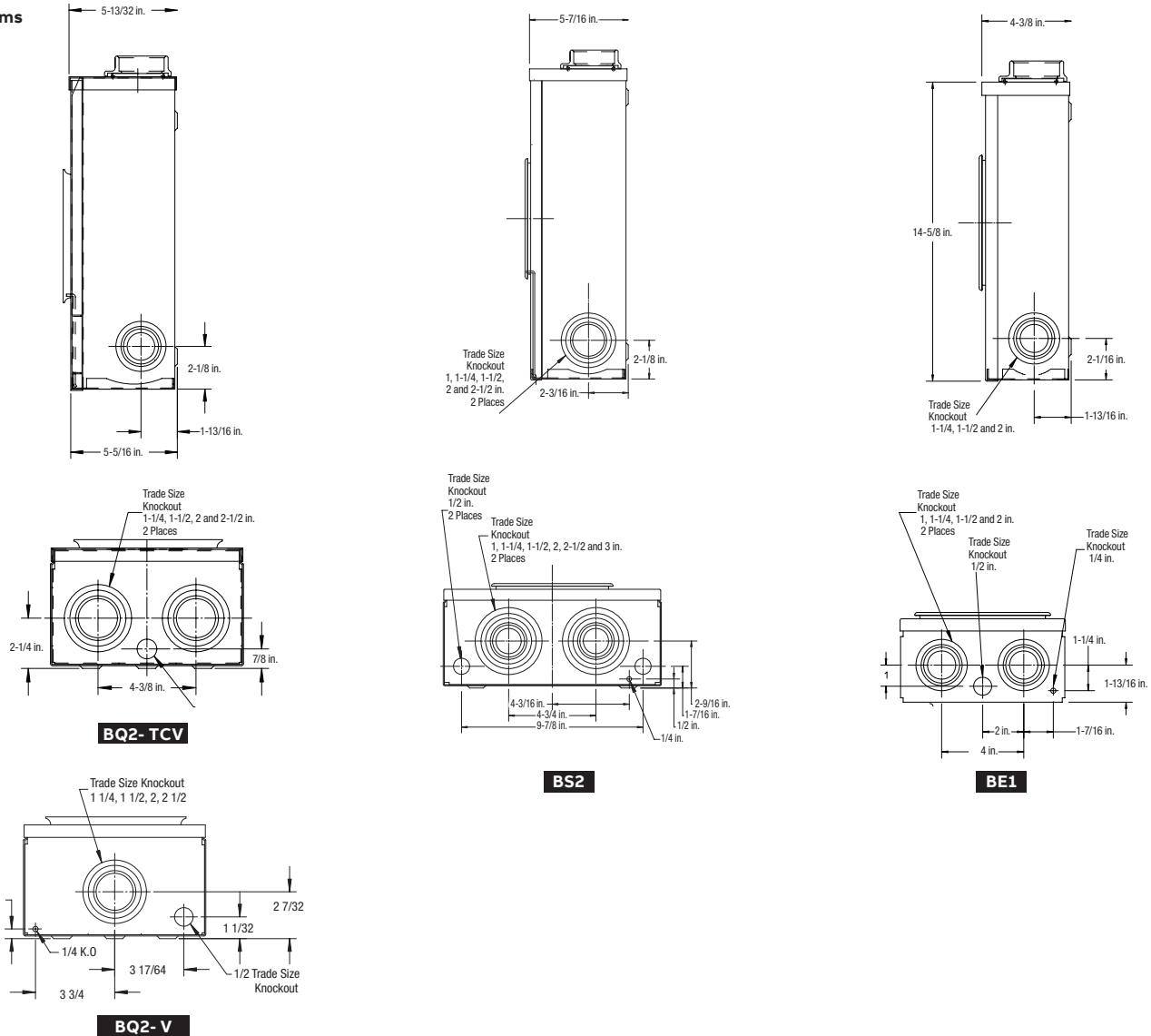
- Designed and manufactured in Canada for the Canadian climate – withstands temperature variations from -40°C to 90°C
- Superior resistance to corrosion in all types of environments – ideally suited for coastal and industrial areas
- Suitable for both overhead and underground installations – reduces inventory requirements
- Robust galvanized steel construction
- New elegant and distinctive colour identifies CR option meter sockets



Microelectric

Highly corrosion-resistant meter sockets

Diagrams



Combination overhead & underground meter sockets with weatherproof type 3RX enclosure



	Product description			Dimensions (in.)			Weight
	Factory-installed accessories	Amps/Volts	Conductor range	H	W	D	(lb./ kg)
BE1-TCV-CR	—	100 A 600 V	6-1/0 AWG	14-5/8	8-1/4	4-3/8	8 lb. / 3.6 kg
BE1-INTCV-CR	Insulated neutral	100 A 600 V	6-1/0 AWG	14-5/8	8-1/4	4-3/8	8 lb. / 3.6 kg
BQ2-TCV-CR	—	200 A 600 V	6 AWG–250 kcmil	15-5/8	8-47/64	5-13/32	12 lb. / 5.4 kg
BQ2-TCVGN-CR	Ground on neutral	200 A 600 V	6 AWG–250 kcmil	15-5/8	8-47/64	5-13/32	12 lb. / 5.4 kg
BS2-TCVBC-CR	—	200 A 600 V	6 AWG–250 kcmil	17-1/8	12	5-7/16	14 lb. / 6.3 kg
BS2-INTCVBC-CR	Insulated neutral	200 A 600 V	6 AWG–250 kcmil	17-1/8	12	5-7/16	14 lb. / 6.3 kg
BS2-TCVGNBC-CR	Ground on neutral	200 A 600 V	6 AWG–250 kcmil	17-1/8	12	5-7/16	14 lb. / 6.3 kg
BQ2-2V-CR*	Comes with 2 in. hub	200 A 600 V	6 AWG–250 kcmil	15-5/8	8-47/64	5-13/32	12 lb. / 5.4 kg
BQ2-2VGN-CR*	Ground on neutral - Comes with 2 in. hub	200 A 600 V	6 AWG–250 kcmil	15-5/8	8-47/64	5-13/32	12 lb. / 5.4 kg
BQ2-VGN-CR*	Ground on neutral	200 A 600 V	6 AWG–250 kcmil	15-5/8	8-47/64	5-13/32	12 lb. / 5.4 kg