

To give you a better way to install parking lot lights we started at the bottom

Curved lid J-box

Anyone who's worked with parking lot light poles knows the problem. Those tiny, integral hand holes for electrical wiring can really slow a project down. But now, there's a better answer for shopping centers, car dealerships, sports arenas, office complexes or anywhere you need pole lighting for large parking lot areas – the Carlon nonmetallic curved lid J-Boxes.



Carlon curved lid J-Boxes are listed in accordance with UL 50 and CSA C22.2 No.94.1 specifications for Electrical Enclosures as well as NEMA 1, 2, 3, 3R, 3S, 4, 4X, 12 and 13 ratings. They are available in sizes 8" x 8" or 12" x 12". Both the base and lid are made from PVC to eliminate rust and corrosion, and both are supplied with tamper-resistant screws.

Designed specifically for use with 24" diameter concrete piers, J-Boxes are installed, along with all necessary conduit and fittings, when piers are poured. This gives installers a giant junction box at the base of every pole to ease wiring, facilitate circuit management and provide easy post-installation maintenance. Just take a closer look, and you'll see why our nonmetallic J-Boxes are a better choice for you.

Install Carlon Weatherproof covers

Features and benefits:

- NEMA 1, 2, 3, 3R, 3S, 4, 4X, 12, 13
- UL® Listed and CSA Certified
- Paintable lid
- Dividers available to separate high and low voltage, and can be retrofitted into existing applications
- Lids provide locations to mount weatherproof covers:
 - 8" x 8" – one location
 - 12" x 12" – three locations
- Nonconductive and noncorrosive
- Designed for a 24" diameter concrete pier

Note: The J-box can also be installed in concrete piers from 18" to 36" in diameter. Contact your ABB representative for installation details.



- 01 Site lighting plan with J-box
- 02 Site lighting plan without J-box

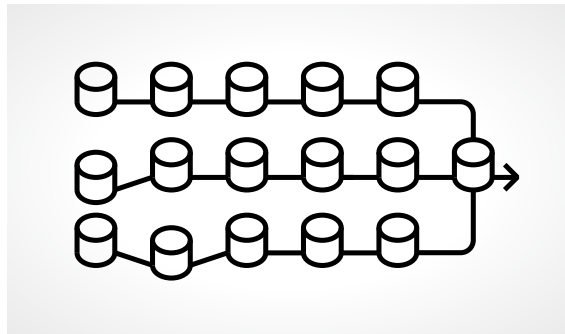
Faster, easier wiring for greater productivity
 Once your J-Boxes are installed, you can speed projects along by pre-wiring before poles arrive. Or, you can install poles first and use them to mount cable-pulling equipment – a particular advantage for long, difficult wire pulls. Of course, all the extra hand room our J-Boxes offer makes splicing much easier and faster than working through cramped pole-access holes.



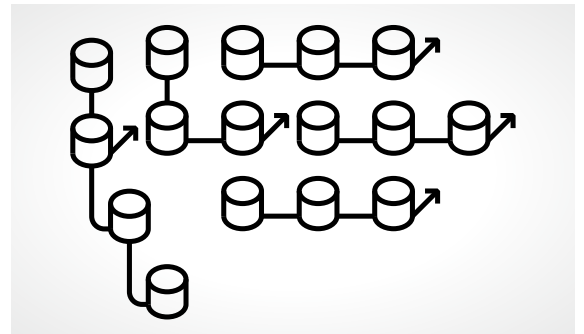
More flexibility, fewer home runs and easier maintenance, too
 Extra room also gives you splicing space for options like zone lighting or to reduce the number of home runs, which can lower trenching and associated materials costs by up to 30%.

In addition, the box lids provide locations to mount receptacles and weatherproof covers for even more flexibility. For easy maintenance, fixture protection can be placed at the base, and if need be, poles can even be removed and replaced in the middle of the circuit without affecting overall lighting.

- 03 J-box, with all conduit and fittings placed as desired, is temporarily attached to the concrete form – base and lid inside.
- 04 Remove form after concrete has been poured and allowed to cure.
- 05 Pop off the J-box lid, leaving an 8" x 8" x 4" or 12" x 12" x 4" access area, depending on the J-box selected.
- 06 After wiring is completed, the lid is replaced to complete the installation.



— 01



— 02

Easy to install



— 03



— 04



— 05



— 06

J-Box

Assemblies



Cat. No.	Size (in.)	Std. Ctn.	Std. Wt. (lb)
E88C24	8 x 8 x 4	6	28.3
E1212C24	12 x 12 x 4	2	9.7

Accessories



Replacement lids

Cat. No.	Size (in.)	Std. Ctn.	Std. Wt. (lb)
E88L24	8 x 8	1	2.1
E1212L24	12 x 12	1	2.3



J-Box dividers are used to separate high- and low-voltage devices and solvent cement into place.

Dividers

The National Electrical Code® (NEC®) and the Canadian Electrical Code (CEC) allow electrical conductors to share an outlet box when the conductors and communication cables are separated by a barrier within the box.

Cat. No.	Std. Ctn.	Std. Wt. (lb)
▶ E88DIV (For use with Cat. No. E88C24)	6	2.1
▶ E1212DIV (For use with Cat. No. E1212C24)	2	2.3

NEC and National Electrical Code are registered trademarks of the National Fire Protection Association, Inc.

Molded nonmetallic boxes

6P rated

Nonmetallic junction boxes are UL Listed with a NEMA 6P rating per Section 314.29, Exception of the National Electrical Code® and CSA Certified per Section 12 of the Canadian Electrical Code. Manufactured from PVC or PPO thermoplastic molding compound and featuring foam in-place gasketed lids attached with stainless steel screws, these rugged enclosures offer all the corrosion resistance and physical properties you need for direct-burial applications.

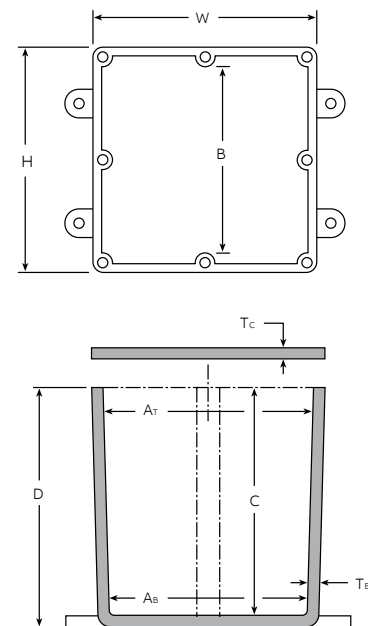
Type 6P enclosures are intended for indoor or outdoor use, primarily to provide a degree of protection against contact with enclosed equipment, falling dirt, hose-directed water, entry of water during prolonged submersion at a limited depth and external ice formation.



Features and benefits:

- All Carlon junction boxes are UL Listed/CSA Certified and maintain a minimum of a NEMA Type 4/4X Rating

Diagrams



Molded nonmetallic junction boxes – 6P rated

Cat. No.	Size H x W x D (in.)	Std. Ctn.	Dimensions (in.)					Material		Std. Wt(lb)	
			Min. AT	Min. AB	Min. B	Min. C	T _b	T _c	PVC		Thermo- plastic
E989NNJ*	4 x 4 x 2	10	3 ¹¹ / ₁₆	3 ⁵ / ₈	N/A	2	0.160	0.155	X		3
E987N*	4 x 4 x 4	10	3 ¹¹ / ₁₆	3 ¹ / ₂	N/A	4	0.160	0.155	X		4
E989NNR*	4 x 4 x 6	10	3 ¹¹ / ₁₆	3 ³ / ₈	N/A	6	0.160	0.200	X		5
E989PPJ*	5 x 5 x 2	10	4 ¹¹ / ₁₆	4 ¹ / ₂	N/A	2	0.110	0.150		X	3
E987R-CAR*	6 x 6 x 4	2	6	5 ⁵ / ₈	N/A	4	0.190	0.190		X	3
E989RRR-UPC*	6 x 6 x 6	8	5 ⁵ / ₈	5 ³ / ₈	N/A	6	0.160	0.150		X	14
E989N-CAR	8 x 8 x 4	1	8	8	N/A	4	0.185	0.190		X	2
E989SSX-UPC	8 x 8 x 7	2	7 ²¹ / ₃₂	7 ⁵ / ₁₆	N/A	7	0.160	0.150		X	6
E989UUN	12 x 12 x 4	3	11 ⁵ / ₈	11 ¹ / ₂	11 ¹ / ₈	4	0.160	0.150		X	12
E989R-UPC	12 x 12 x 6	2	11 ¹⁵ / ₁₆	11 ⁷ / ₈	11 ⁷ / ₁₆	6	0.265	0.185		X	10

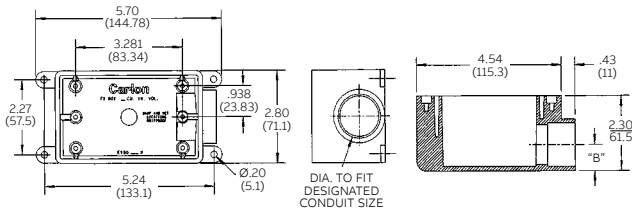
* UL Listed
NEC and National Electrical Code are registered trademarks of the National Fire Protection Association, Inc.

Single-gang FS Device boxes



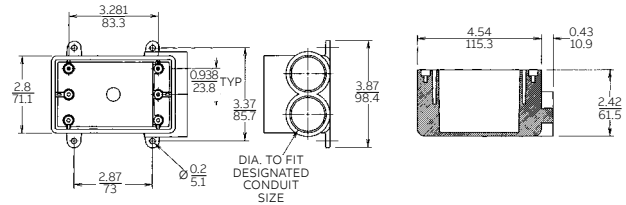
- Type FSE single-gang box**
- For dead-end terminations
 - Mounting feet included
 - 18 cu. in. volume
 - Grounding strap included

FSEB-050



- Type FSS single-gang box**
- For multiple dead-end terminations or where additional support is required in stub-up applications
 - Mounting feet included
 - 18 cu. in. volume
 - Grounding strap included

FSSB-050



Type FSE



Cat. no.	Colour	Size (in.)	Std. ctn.
FSEB-050	Grey	½	12
FSEB-075	Grey	¾	12
FSEB-100	Grey	1	8

Type FSS

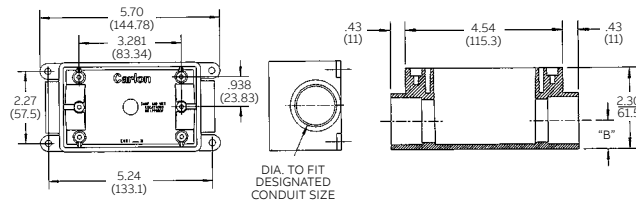


Cat. no.	Colour	Size (in.)	Std. ctn.
FSSB-050	Grey	½	12
FSSB-075	Grey	¾	12
FSSB-100	Grey	1	8



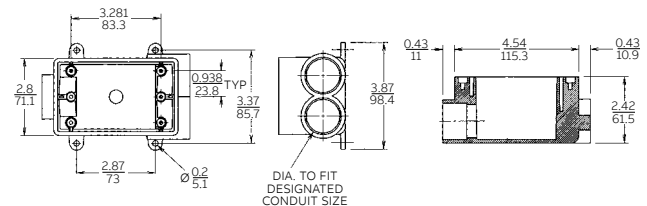
- Type FSC single-gang box**
- For through terminations
 - Mounting feet included
 - 18 cu. in. volume
 - Grounding strap included

FSCB-050



- Type FSCC single-gang box**
- For multiple through terminations or where additional support is required in stub-up applications
 - Mounting feet included
 - 18 cu. in. volume
 - Grounding strap included

C979EFN



Type FSC



Cat. no.	Colour	Size (in.)	Std. ctn.
FSCB-050	Grey	½	12
FSCB-075	Grey	¾	12
FSCB-100	Grey	1	8

Type FSCC



Cat. no.	Colour	Size (in.)	Std. ctn.
C979EFN	Grey	¾	15
C979FFN	Grey	1	15

Single-gang FD

Deep device boxes



C9801EN

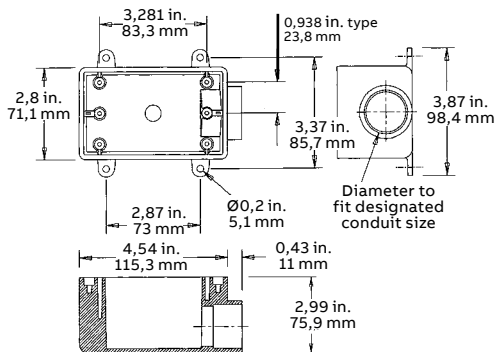
Type FDE single-gang deep box

- For dead-end terminations where large device or where additional support is required
- Mounting feet included
- 25 cu. in. volume
- Grounding strap included



Cat. no.	Colour	Size (in.)	Std. ctn.
C9801DN	Grey	½	10
C9801EN	Grey	¾	10

Diagrams



C9811EN

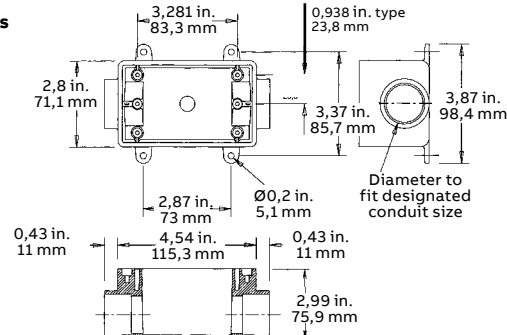
Type FDC single-gang deep box

- For through terminations where large device or where additional support is required
- Mounting feet included
- 25 cu. in. volume
- Grounding strap included



Cat. no.	Colour	Size (in.)	Std. ctn.
C9811EN	Grey	¾	10
C9811FN	Grey	1	10

Diagrams



FDB-BLANK

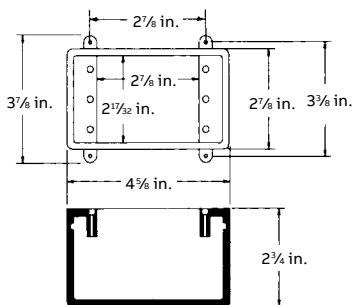
Type FD single-gang deep box

- For terminations where hub requirements vary according to application
- Hubs can be added easily with flared wood bit or hole saw
- Mounting feet included
- 18 cu. in. volume
- Grounding strap included



Cat. no.	Colour	Size (in.)	Std. ctn.
FDB-BLANK	Grey	-	6

Diagrams



WPRB-T050-W

Round T box

- With five ½" threaded holes
- Mounting feet included
- Use with nonmetallic wiring systems only
- Grounding strap included
- Can be used with Red•Dot lampholder



Cat. no.	Colour	Size (in.)	Std. ctn.
WPRB-T050-G	Grey	½	8
WPRB-T050-W	White	½	8



WPRNDCV-G

Round T box flat cover

- Gasket included



Cat. no.	Colour	Std. ctn.
WPRNDCV-G	Grey	20
WPRNDCV-W	White	20

Two-gang FS

Device boxes



FSEB2-075

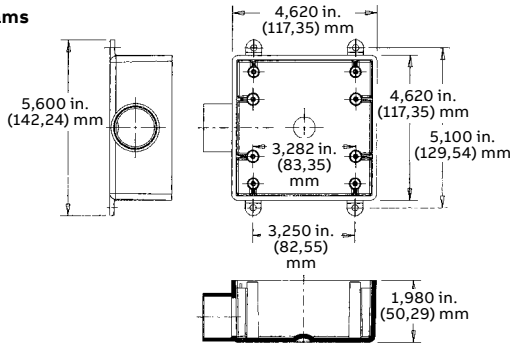
Type FSE 2-gang box

- For dead-end terminations where two devices or additional capacity is required
- Mounting feet included
- 32 cu. in. volume
- Grounding strap included



Cat. no.	Colour	Size (in.)	Std. ctn.
FSEB2-050	Grey	½	5
FSEB2-075	Grey	¾	10
FSEB2-100	Grey	1	4

Diagrams



FSCB2-050

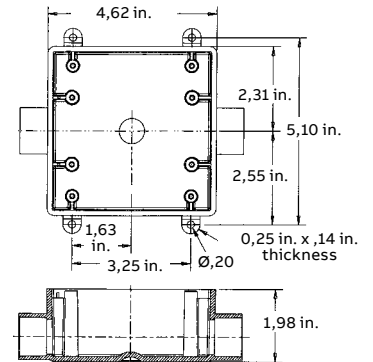
Type FSC 2-gang box

- For through terminations where two devices or additional capacity is required
- Mounting feet included
- 32 cu. in. volume
- Grounding strap included



Cat. no.	Colour	Size (in.)	Std. ctn.
FSCB2-050	Grey	½	4
FSCB2-075	Grey	¾	10
FSCB2-100	Grey	1	10

Diagrams



CE9802

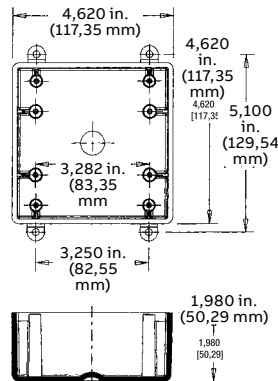
Type FS 2-gang box

- For terminations where hub requirements vary according to application
- Hubs can be added easily with flared wood bit or hole saw
- Mounting feet included
- 32 cu. in. volume
- Grounding strap included



Cat. no.	Colour	Size (in.)	Std. ctn.
CE9802	Grey	-	10

Diagrams



WPB2-T7550-G

2-Gang T box

- With three ½" and four ¾" threaded holes
- Mounting feet included
- Use with nonmetallic wiring systems only
- Grounding strap included
- Can be used with Red•Dot lampholder



Cat. no.	Colour	Size (in.)	Std. ctn.
WPB2-T7550-G	Grey	½-¾	6
WPB2-T7550-W	White	½-¾	6