

TYPICAL SPECIFICATIONS

Supply and install **Ready-Lite® NMHZ Series** remote emergency lighting fixture. The fixture shall have a single- or double-lamp configuration (as specified) and shall include a fully gasketed Die-Cast aluminum back plate and a clear heavy-duty UV resistant polycarbonate cover. The fixture shall come standard with a 4" octagonal box, stainless steel tamper-proof screws and dedicated screwdriver bit. The fixture shall be certified for use in hazardous locations Class I, Division 2, Groups A, B, C and D and shall be listed to CSA C22.2 No.141-15 and CSA C22.2 No.137-M1981. The fixture shall be rated with a temperature code for the selected lamps as in the table below.

Each lamp in the fixture shall be able to be oriented without tools and should be equipped with LED lamp(s) of _____ V _____ W.

The remote unit shall be **Ready-Lite®** model: _____.

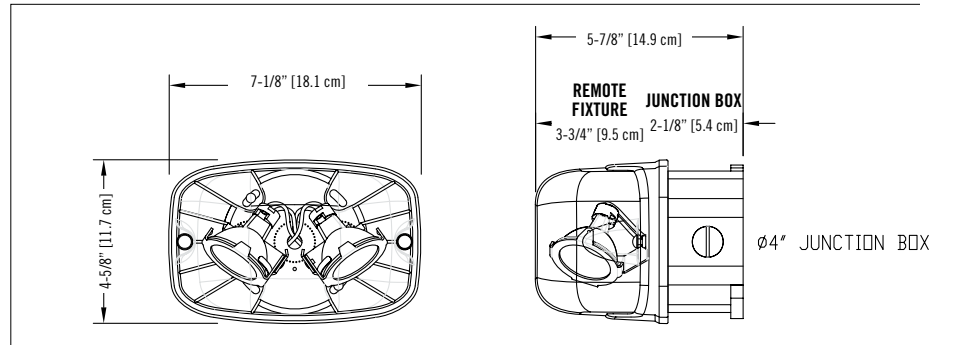


REPLACEMENT LAMPS

MODEL	LAMP TYPE	VOLTAGE/WATTAGE	TEMPERATURE CODE
580.0097-RL	MR16, LED	6V-4W	T4A (max. 120°C)
580.0122-RL	MR16, LED	6V-5W	T4A (max. 120°C)
580.0093-RL	MR16, LED	12V-4W	T5 (max. 100°C)
580.0104-RL	MR16, LED	12V-5W	T4A (max. 120°C)
580.0106-RL	MR16, LED	12V-6W	T4 (max. 135°C)
580.0098-RL	MR16, LED	24V-4W	T5 (max. 100°C)
580.0113-RL	MR16, LED	120V-4W	T4A (max. 135°C)

DIMENSIONS

Dimensions are approximate and subject to change.



ORDERING INFORMATION

SERIES	NUMBER OF LAMPS	VOLTAGE/WATTAGE	COLOUR
NMHZ	1= one lamp 2= two lamps	-LD1= MR16 LED, 6V-4W -LD2= MR16 LED, 6V-5W -LD7= MR16 LED, 12V-4W -LD9= MR16 LED, 12V-5W -LD10= MR16 LED, 12V-6W -LD13= MR16 LED, 24V-4W -LD26= MR16 LED, 120V-4W	GY= grey

EXAMPLE: NMHZ1-LD26

FEATURES

- Quality illumination requires fewer fixtures
 - Certified Class I Zone 2, Groups IIA, IIB and IIC
 - Certified Class I Division 2, Groups A, B, C and D as per CSA C22.2 No.137-M1981
 - Extreme operational temperature range: -40°C to +40°C.
 - Choice of single- or double-lamp models
 - High-efficacy LED lamps of 4W, 5W and 6W
 - Input voltage: 6V, 12V, 24V or 120V
 - Fully gasketed Die-Cast aluminum back plate
 - Clear polycarbonate cover, UV and impact resistant
 - Easy installation on a 4" octagonal box (included)
 - Comes standard with tamper-proof screws and bit
 - Meets or exceeds CSA 22.2 No.141-15
- See warranty details at: www.tnb.ca/en/brands/ready-lite