



TYPICAL SPECIFICATIONS

Lamp head and stem shall be injection molded, impact resistant, flame retardant thermoplastic and shall require no tool for aiming or adjustment. The lens shall be inverse concave design and fully adjustable for aisle or area distribution during installation without the need to energize the lamp. Visual identification of distribution shall be provided through position of adjustment pins.

Fixture shall be supplied with a canopy for installation on any four inch octagon box. Housing shall be designed to allow for lamp replacement if required.

The remote unit shall be the **Ready-Lite®** model: _____.

WIRE GUARDS

460.0029-RL	wall mount or ceiling mount
-------------	-----------------------------

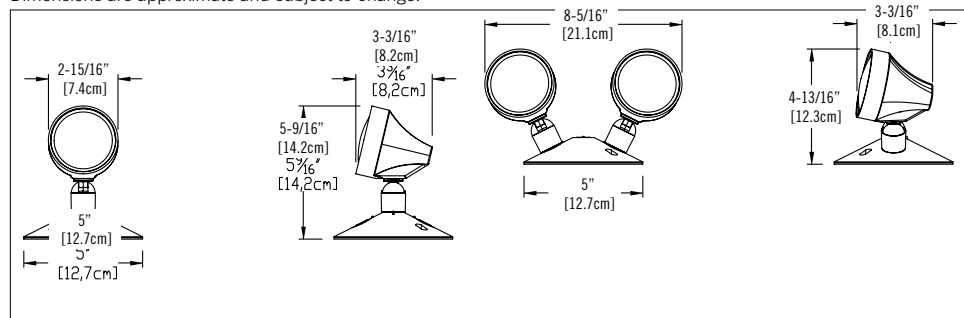
REPLACEMENT LAMPS

MODEL	LAMP TYPE	VOLTAGE/WATTAGE
580.0097-RL	MR16, LED	6V-4W
580.0122-RL	MR16, LED	6V-5W
580.0093-RL	MR16, LED	12V-4W
580.0104-RL	MR16, LED	12V-5W
580.0106-RL	MR16, LED	12V-6W
580.0098-RL	MR16, LED	24V-4W
580.0100-RL	MR16, LED	24V-6W

See Guardian list of lamps

DIMENSIONS

Dimensions are approximate and subject to change.



ORDERING INFORMATION

SERIES	NUMBER OF LAMPS	VOLTAGE/WATTAGE	COLOUR
RM= MR16 LED	1= single head 2= double head 3= triple head	-LD1= MR16 LED, 6V-4W -LD2= MR16 LED, 6V-5W -LD7= MR16 LED, 12V-4W -LD9= MR16 LED, 12V-5W -LD10= MR16 LED, 12V-6W -LD13= MR16 LED, 24V-4W -LD14= MR16 LED, 24V-6W	Blank= factory white BK= black

EXAMPLE: RM1-LD1



RM SERIES LED

FEATURES

- Fire-retardant thermoplastic
 - 300° rotation
 - CSA certified to C22.2 No.141-15
 - 6, 12 and 24V with various wattages
- See warranty details at: www.tnb.ca/en/brands/ready-lite