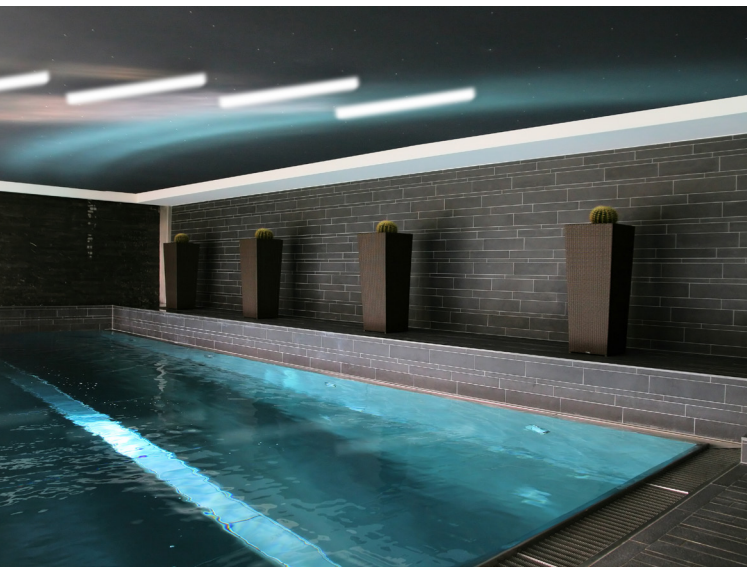


IPR-LEDNU Series

IP65 LINEAR LED FIXTURE

The new Ready-Lite® IPR-LEDNU series is a slim and compact product that offers both customizable lumen output and colour temperature to suit the needs of the site where it will be installed.

Discover the features and benefits of this ultra-versatile lighting unit!



Designed to resist moisture and vandalism

Do you need to install lights around an indoor pool or underground parking lot where moisture is present?

The IPR-LEDNU series luminaires will perfectly meet this requirement with their certification for wet and damp locations*.

Additionally, the lens and housing both meet vandal-proof standards, which will give commercial site owners and managers that extra peace of mind.

**Please note that this product is not suitable for use in car wash applications.*



Scan the QR code for more information about this product.



Base Unit

Featuring a high-efficiency electronic LED driver, industrial-grade polycarbonate lens, and thermoplastic housing,

the standard model offers field-selectable combinations of colour temperature and lumen output, allowing for easy customization.

To do this, simply open the unit using the stainless-steel clips, select the desired lumen output and colour temperature, and close the unit.



All options on one model

In darker locations or where switches are more difficult to access, the **MOTION SENSOR** option becomes a convenient choice.

Added on to the standard unit, this option will turn the fixture on as soon as it detects movement between four to ten meters away from the fixture (for ceiling mounts).

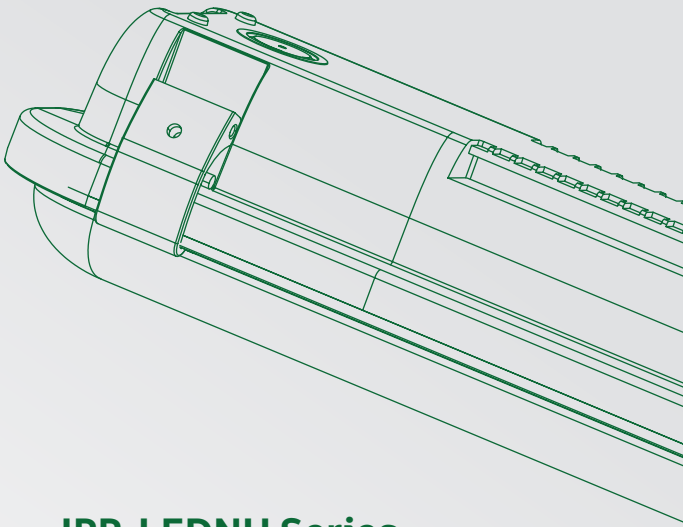
Adding the emergency **LED DRIVER OPTION** to the same base model turns it into a convenient product that provides both **REGULAR AND EMERGENCY LIGHTING**.

In the event of a power failure, the driver will automatically go into **BACKUP MODE** and the LED strip will remain on for a minimum of 30 minutes.



Scan the QR code for more information about this product.



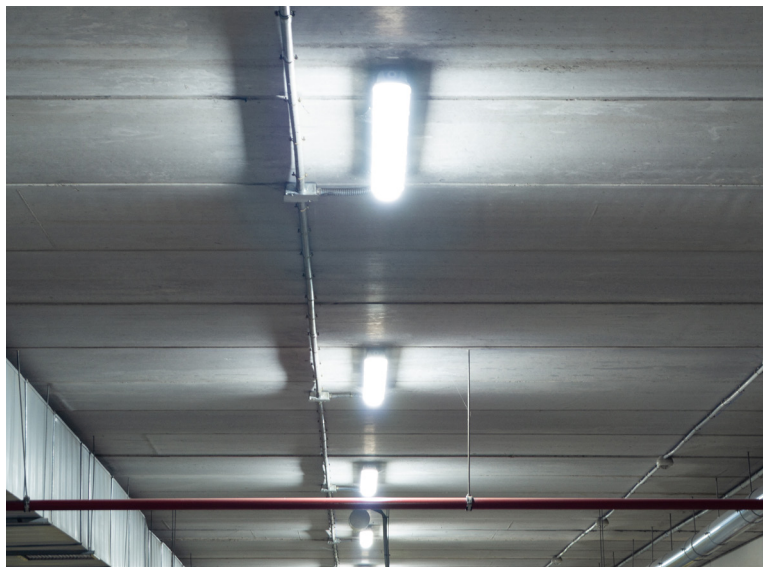


IPR-LEDNU Series

IP65 LINEAR LED FIXTURE

Base Model Specifications

- Field-selectable colour temperatures: 3500K (warm/neutral white), 4000K (neutral white) and 5000K (cool white)
- Field-selectable lumen output: 5000 lumens (40 watts), 6000 lumens (45 watts) and 7000 lumens (50 watts)
- Ceiling, surface, or pendant mounting
- 0-10V dimming standard on all models
- 120VAC to 277VAC universal
- Expected life of 187,000 hours (L70)
- Power factor > 0.90
- ROHS compliant
- Meets IEEE C.62.41-1991 input transient protection
- 5-year limited warranty on all electronics and housing



Get this product now and take advantage of its flexibility and customization possibilities for your lighting and emergency lighting projects!

The IPR-LEDNU series is available to order from authorized Ready-Lite® distributors.



Scan the QR code
for more information
about this product.

