



RRAUR SERIES

Remote recessed architectural fixture

FEATURES

- Recessed installation in T-bar suspended ceiling and easily spring mounted in Gyproc ceiling
- All-metal backbox enclosure
- Housing rated for plenum or insulated ceilings (IC)
- Thermoplastic rectangular fixture with additional round trim-plate, white finish
- Black thermoplastic decorative trim-plates
- Two-wire universal input
- Fixed optics, optimized light distribution for ceiling heights up to 12 ft
- Fixed square light pattern
- Four high-intensity LED sources with redundant connections; CCT 5000K
- NSF certified for splash/non-food zone applications
- Certified cUL to CSA 22.2 No.141-15
- See warranty details at: www.ready-lite.ca

SUGGESTED SPECIFICATIONS

Supply and install the **RRAUR Series** of recessed emergency lighting unit from **Ready-Lite®**. The unit construction shall include an all-metal housing and a thermoplastic rectangular trim-plate with a detachable circular trim ring for choice of aesthetics. The optics shall be an impact-resistant polycarbonate lens with fixed light distribution, optimized for ceiling heights up to 12 ft. The housing shall include an isolated compartment for electrical connections and a detachable cover with knockouts for electrical supplies. The unit shall include a hardware kit for installation in T-bar suspended ceilings.

The emergency lights shall be four high-intensity LED with operational life of minimum 36,000 hours, until 70% of the initial light level (reported L70). The LEDs shall have redundant interconnections: eventual failure of one of them shall allow others to function.

The unit shall be cUL certified to CSA 22.2 No.141-15

The unit shall be **Ready-Lite®** model: _____.

PHOTOMETRY PERFORMANCE

The **RRAUR Series** has a fixed lighting distribution, optimized by design for ceiling heights up to 12 ft. Along an office corridor the space coverage ranges from 68 to 80 feet. The square distribution pattern option covers a surface of more than 700 square feet.

TABLE A: STANDARD UNIT 6-FT WIDE CORRIDOR¹

MOUNTING HEIGHT	SPACING CENTRE-TO-CENTRE
9 ft	68 ft
10 ft	80 ft
12 ft	72 ft

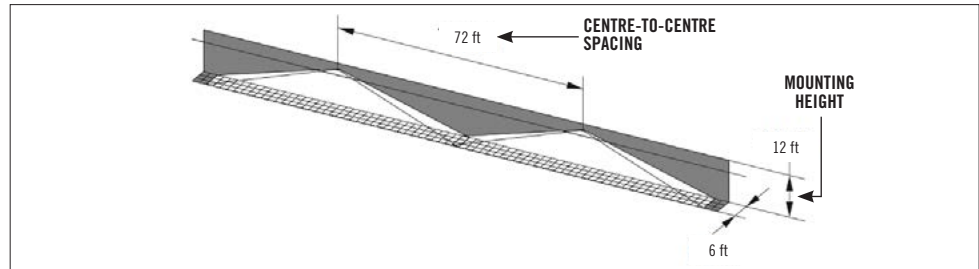
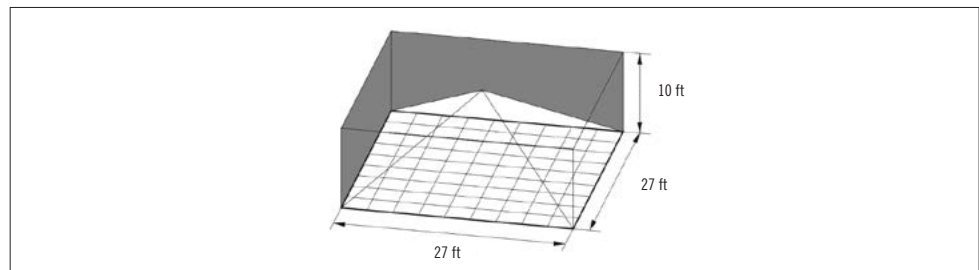


TABLE B: OPTION "SQUARE DISTRIBUTION PATTERN" – SINGLE UNIT COVERAGE¹

MOUNTING HEIGHT	ROOM SIZE	ROOM SURFACE
10 ft	27 ft x 27 ft	729 square feet



¹Typical reflectance levels of walls/ceiling/floor: 80/50/20

POWER CONSUMPTION AND UNIT RATING

AC2	INPUT (VAC)	INPUT CURRENT (A)	INPUT POWER (W)	POWER FACTOR
	120	0.060	7.0	0.95
	240	0.030		
	277	0.025		
DC	INPUT VOLTAGE (VDC)		INPUT POWER (W)	
	6-24		6.5	

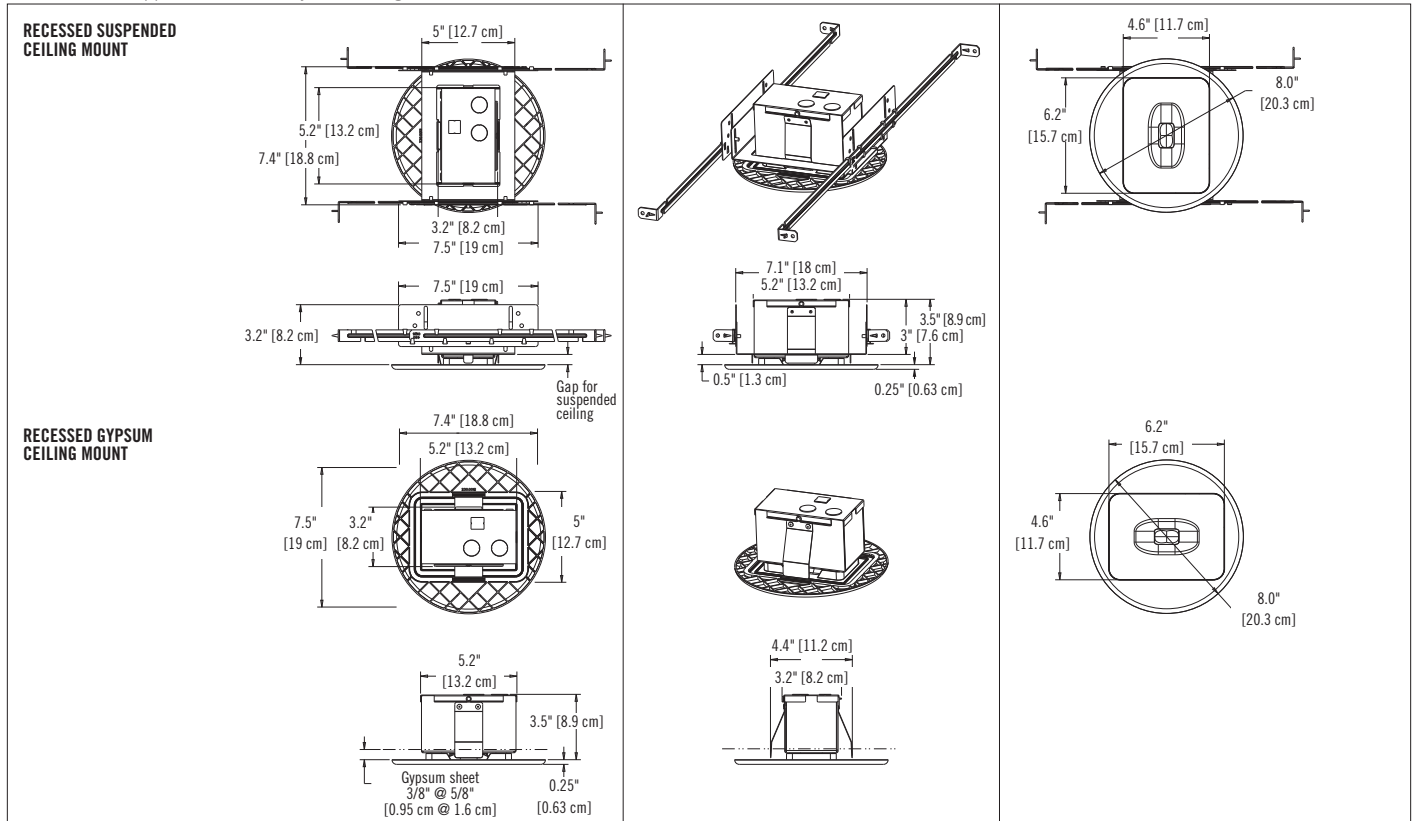


RRAUR SERIES

Remote recessed architectural fixture

DIMENSIONS

Dimensions are approximate and subject to change.



ORDERING INFORMATION

SERIES	COLOUR	VOLTAGE	OPTIONS
RRAUR= Remote recessed architectural fixture	BK= black WH= factory white	AC2= 120 to 277VAC 50/60Hz DC= 6 to 24VDC	Blank= no options P= plenum/type IC rated SQ= square distribution pattern

EXAMPLE: RRAURWHDC