



RRAU SERIES

Recessed architectural battery unit

FEATURES

- Recessed installation in T-bar suspended ceiling and easily spring mounted in Gyproc ceiling
 - All-metal backbox enclosure
 - Thermoplastic rectangular fixture with additional round trim-plate, white finish
 - Long-life, high-temperature rated lithium battery
 - Infrared remote test control (up to 30ft)
 - Two-wire universal AC input: 120 – 347VAC 50-60Hz
 - 90 minutes of emergency lighting
 - Fixed optics, optimized light distribution for ceiling heights up to 12 ft
 - Four high-intensity LED sources with redundant connections; CCT 5000K
 - Optional housing rated for plenum or insulated ceilings (IC)
 - Black thermoplastic decorative trim-plates
 - Power over ethernet supply (requires a dedicated PoE switch powered by unswitched AC line) available
 - Nexus®Pro: IOT emergency lighting monitoring system optional
 - Fixed, square distribution pattern up to 12-ft ceilings
 - Self-test and diagnostic functions
 - NSF certified for splash/ non-food zone applications
 - Certified cUL to CSA 22.2 No.141-15
 - 1-year limited warranty
- See warranty details at: www.ready-lite.ca



Remote test control

SUGGESTED SPECIFICATIONS

Supply and install the **RRAU Series** of recessed emergency lighting unit from **Ready-Lite®**. The unit construction shall include an all-metal housing and a thermoplastic rectangular trim-plate with a detachable circular trim ring for choice of aesthetics. The optics shall be an impact-resistant polycarbonate lens with fixed light distribution, optimized for ceiling heights up to 12 ft. The housing shall include an isolated compartment for electrical connections and a detachable cover with knockouts for electrical supplies. The unit shall include a hardware kit for installation in T-bar suspended ceilings.

The emergency lights shall be four high-intensity LED with operational life of minimum 36,000 hours, until 70% of the initial light level (reported L70). The LEDs shall have redundant interconnections: eventual failure of one of them shall allow others to function. The unit shall have a two-wire universal input rated 120-347VAC, 50/60Hz and shall be equipped with a lithium battery. The charger circuit shall provide: AC lock-out, brownout transfer, and battery disconnect at the end of discharge. The charger shall be micro-controller-based and include self-test and diagnostic functions; the unit shall self-test for one minute every month, 30 minutes every six months and 90 minutes annually. The pilot light shall be a bi-color LED, installed behind the main optics and shall change color from normal green to flashing red when a failure is detected from the battery, charger circuit or lamps. A label located on the equipment housing shall describe the diagnostic for each flashing code. The unit shall be supplied with an infrared remote test control to start a manual test of one-minute duration or cancel it if needed.

The unit shall be cUL certified to CSA 22.2 No.141-15

The unit shall be **Ready-Lite®** model: _____.

PHOTOMETRY PERFORMANCE

The **RRAU Series** has a fixed lighting distribution, optimized by design for ceiling heights up to 12 ft. The **RRAU Series** delivers a stable and optimal illumination easy to specify. Along an office corridor the space coverage ranges from 68 to 80 feet. The square distribution pattern covers a surface of more than 700 square feet.

TABLE A: STANDARD UNIT 6-FT WIDE CORRIDOR¹

| MOUNTING HEIGHT | SPACING CENTRE-TO-CENTRE |
|-----------------|--------------------------|
| 9 ft | 68 ft |
| 10 ft | 80 ft |
| 12 ft | 72 ft |

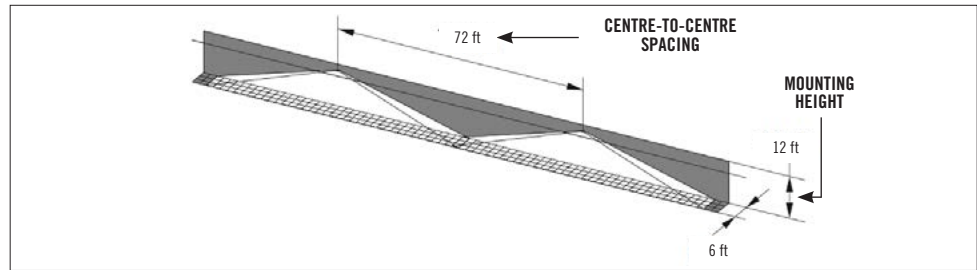
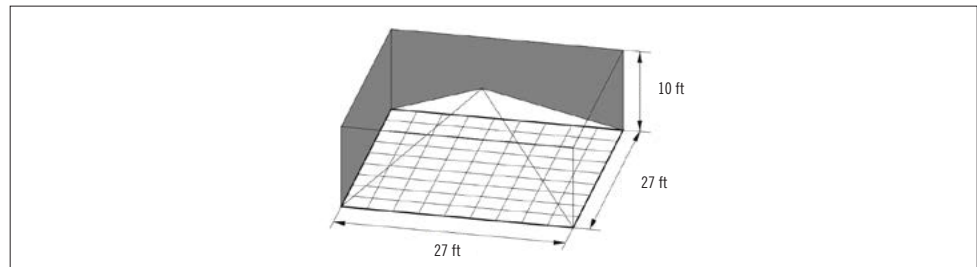


TABLE B: OPTION “SQUARE DISTRIBUTION PATTERN” – SINGLE UNIT COVERAGE¹

| MOUNTING HEIGHT | ROOM SIZE | ROOM SURFACE |
|-----------------|---------------|-----------------|
| 10 ft | 27 ft x 27 ft | 729 square feet |



¹Typical reflectance levels of walls/ceiling/floor: 80/50/20



RRAU SERIES

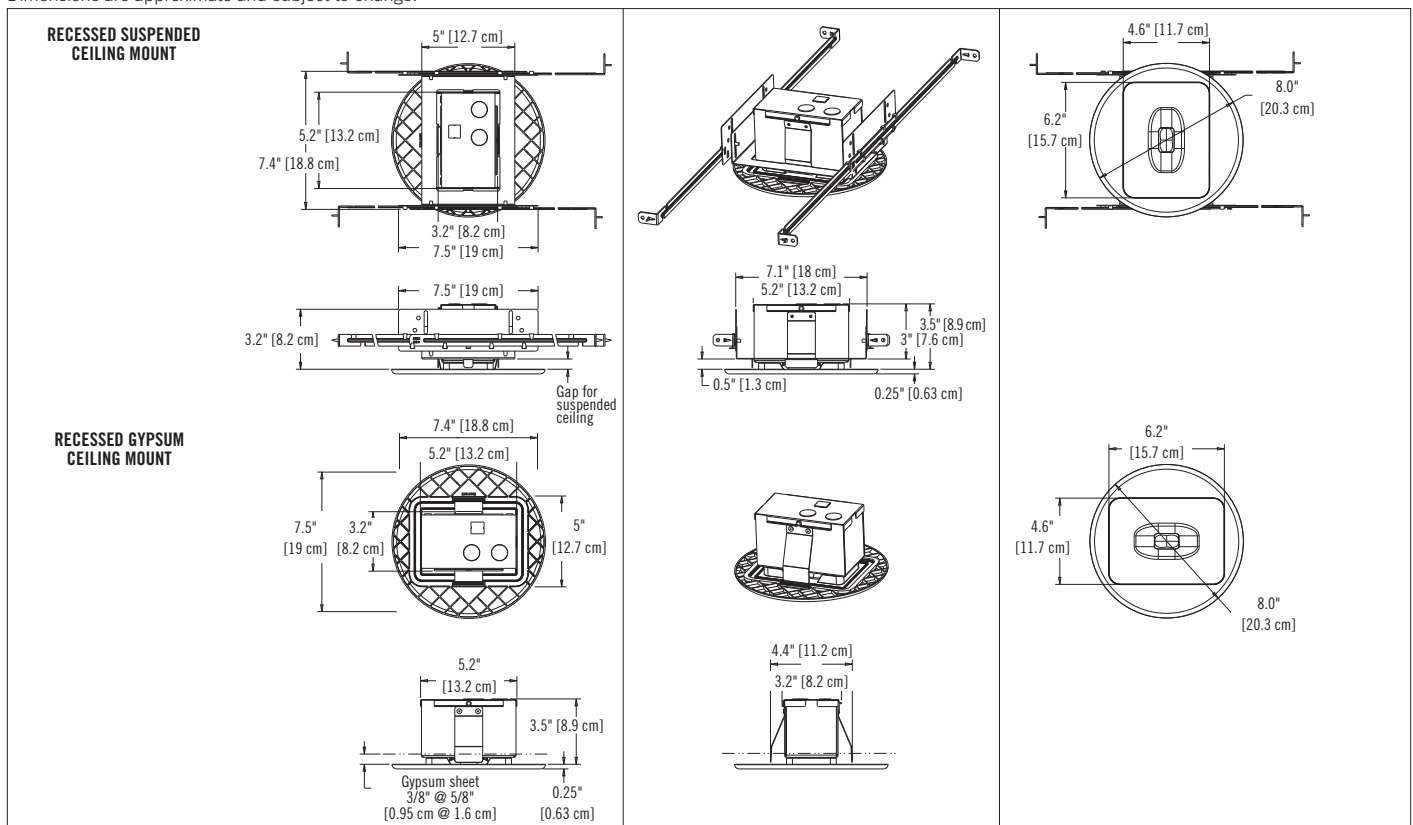
Recessed architectural battery unit

POWER CONSUMPTION AND UNIT RATING

| AC | INPUT (VAC) | MAXIMUM | | | STAND-BY POWER (W) |
|-----|---------------|-------------|-------------|--------------|--------------------|
| | | CURRENT (A) | POWER (W) | POWER FACTOR | |
| | 120 | 0.03 | 2.8 | 0.6 | 0.5 |
| | 277 | 0.02 | | 0.5 | |
| | 347 | 0.02 | | 0.45 | |
| POE | DC SUPPLY (V) | | MAXIMUM | | |
| | | | CURRENT (A) | POWER (W) | |
| | 44-57 | | 0.08 | 3 | |

DIMENSIONS

Dimensions are approximate and subject to change.



ORDERING INFORMATION

| SERIES | COLOUR | UNIT TYPE | OPTIONS | VOLTAGE |
|-----------------------------------|--|--|---|---|
| RRAU= recessed architectural unit | BK = black WH = factory white | Blank = standard NEXP = Nexus®Pro wireless bluetooth UN = advanced diagnostics, non-audible | Blank = no options D3 = 15 minute time delay P = plenum/type IC rated SQ = square distribution pattern | Blank = 120 to 347VAC, 50/60Hz POE = power over ethernet |

EXAMPLE: RRAUWHPOE