



# LPHR Series

Normally off steel egress luminaire

Designed to work with Lumacell® mini inverters in emergency mode

## Housing

- 20ga steel housing, factory white or black finish
- Choice of 2, 3 or 4 integrated LED egress lamps

## Installation

- Suitable for mounting heights between 6m to 21m (20 to 70ft), double lamps for better coverage at greater heights
- Universal wall, ceiling, end or pendant mount (pendant kits sold separately)
- Compatible with standard 4in. junction box
- Two-wire universal input, from a mini inverter or other back-up system, for 120-277VAC or 347-480VAC, 50/60Hz

## Optics

- Advanced fixed optics with 355° range of rotation and simplified aiming
- 900 lumens per 7W LED lamp
- Asymmetric lens offers unmatched uniformity with min:max ratio starting at 1:1.1

## Approvals

- Certified to UL924 and CSA 22.2 No.141 standards
- Dry and damp location listed for a wide range of operating temperatures:
  - Models 02 & 03: -40°C to 50°C (-40°F to 122°F)
  - Model 04: -40°C to 40°C (-40°F to 104°F)
- Please visit our website at: [www.lumacell.ca](http://www.lumacell.ca)

Mini inverter model					
VAC	Luminaire Model	300W	600W	1000W	1440W
120V	02	14	28	48	69
	03	9	19	33	47
	04	7	15	25	36
347V	02	N/A	17	29	42
	03	N/A	13	23	33
	04	N/A	11	19	27

Number of luminaires based on 80% of mini-inverter's rated capacity and applying a 0.9 PF correction to the luminaire's rated consumption.



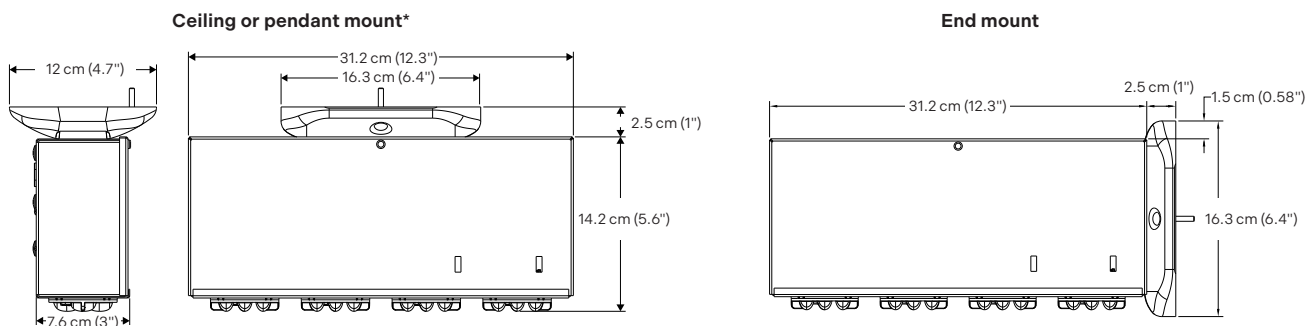
## Input electrical ratings (fixture)

Model	Vac	Hz	A	W	P.F.
02	120-277	50/60	0.15-0.08	18	>0.9
03			0.2-0.1	23	
04			0.29-0.13	34	
02	347-480 <sup>1</sup>		0.07-0.06	20	
03			0.09-0.07	28	
04			0.12-0.09	36	

<sup>1</sup>Central back-up system is required. The mini inverter is only available for 120-347VAC.

## Dimensions

Dimensions are approximate and subject to change. For wall mount dimensions, use overall dimensions of housing and lamps (excluding canopy).



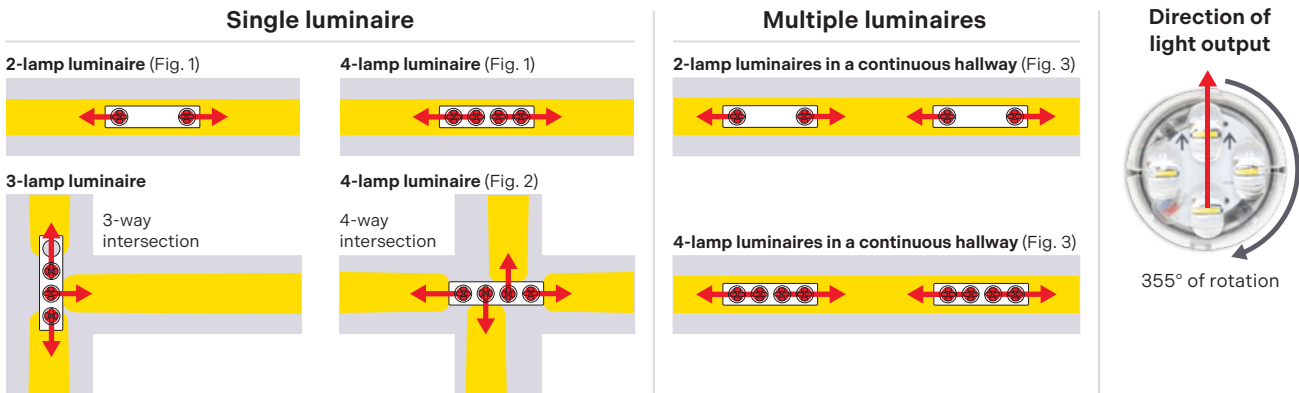
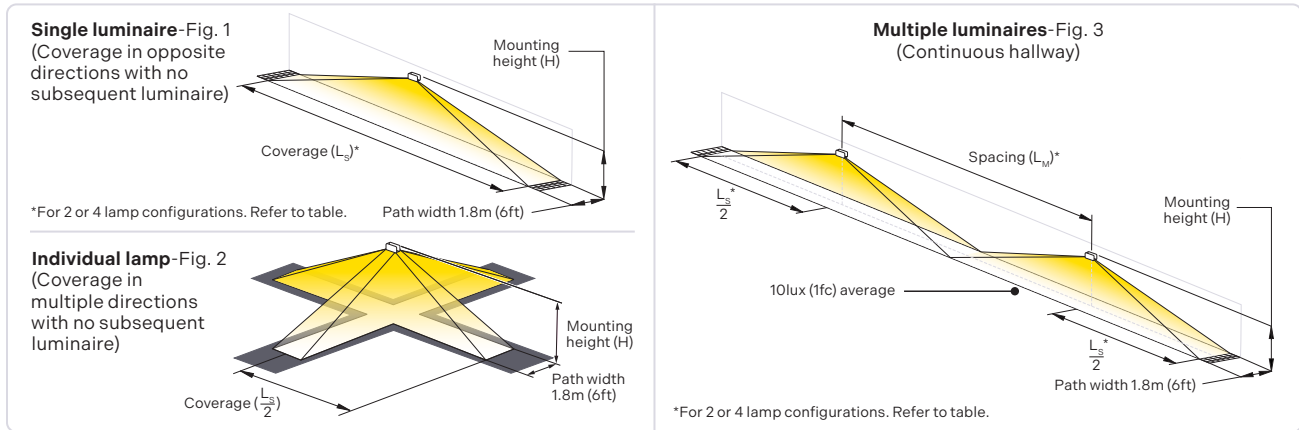
\*Pendant mount installation can be achieved without the use of a canopy. Refer to instruction sheets for more information.

**Lamp coverage with superior lighting levels based on mounting heights**

IES files available for more details on photometric performance

$L_s$ – Single luminaire coverage (m) <sup>1</sup>					$L_M$ – Multiple luminaire spacing (m) <sup>1</sup>				
H - Mounting height (m)	2 lamp configuration		4 lamp configuration		H - Mounting height (m)	2 lamp configuration		4 lamp configuration	
	Centre of aisle	Wall mounted	Centre of aisle	Wall mounted		Centre of aisle	Wall mounted	Centre of aisle	Wall mounted
6.1	22.6	20.4	–	–	6.1	25.0	22.6	–	–
9.1	36.0	31.1	–	–	9.1	36.0	33.5	–	–
12.2	29.3	17.1	51.2	50.0	12.2	32.9	28.7	57.9	57.9
15.2	–	–	55.5	51.2	15.2	26.8	23.8	57.3	52.4
18.3	–	–	40.2	35.4	18.3	18.9	15.2	48.8	45.1
21.3	–	–	18.3	10.4	21.3	–	–	40.2	39.0

<sup>1</sup>Respects minimum requirements per National Building Code (min. 1lux, average of 10lux and max/min ratio of 40:1). Assumed ceiling height of 21.3m (70ft) and ceiling, wall and floor reflectance of 40-50-20.



**Accessories** (order as a separate item)

Series	Product code
Pendant white Pendant black	P4L*W P4L*B
Example: P4L12W	<sup>*</sup> Specify pendant lengths in increments of 6" (ex: 6", 12", 24", etc). Other lengths available upon request. Consult your sales representative.

**How to order**

Series	Number of lamps	Colour	Voltage
LPHR= Egress steel luminaire	02= Two lamps 03= Three lamps 04= Four lamps	W= Factory white B= Black	UN= 120 to 277 VAC, 50/60Hz UN2= 347 to 480 VAC, 50/60Hz

Example: LPHR02BUN