



LAEC Series

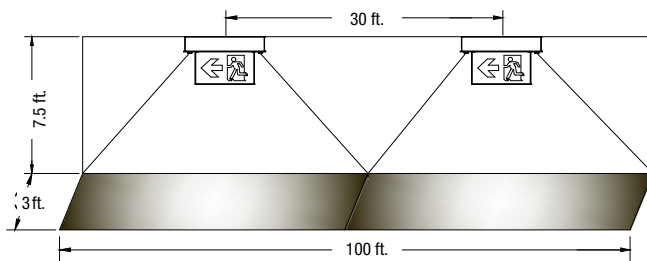
Pictogram extruded aluminum edge-lit combo

FEATURES

- Extruded aluminum trim plate
- Universal wall and ceiling surface or recessed mounting
- Includes pictogram panels for single and double face applications
- High power LED lamps
- Lamp heads are fully adjustable
- High temperature long life Ni-MH battery
- 120/347VAC 60Hz
- CSA C22.2 no.141-15 approved
- Standard with diagnostics
- Unit has a one-year limited warranty
See warranty details at: www.tnb.ca/en/brands/lumacell

PHOTOMETRIC PERFORMANCE

SERIES	SPACING CENTER-TO-CENTER
	7.5 FEET MOUNTING HEIGHT
LAEC-2HO	30 feet

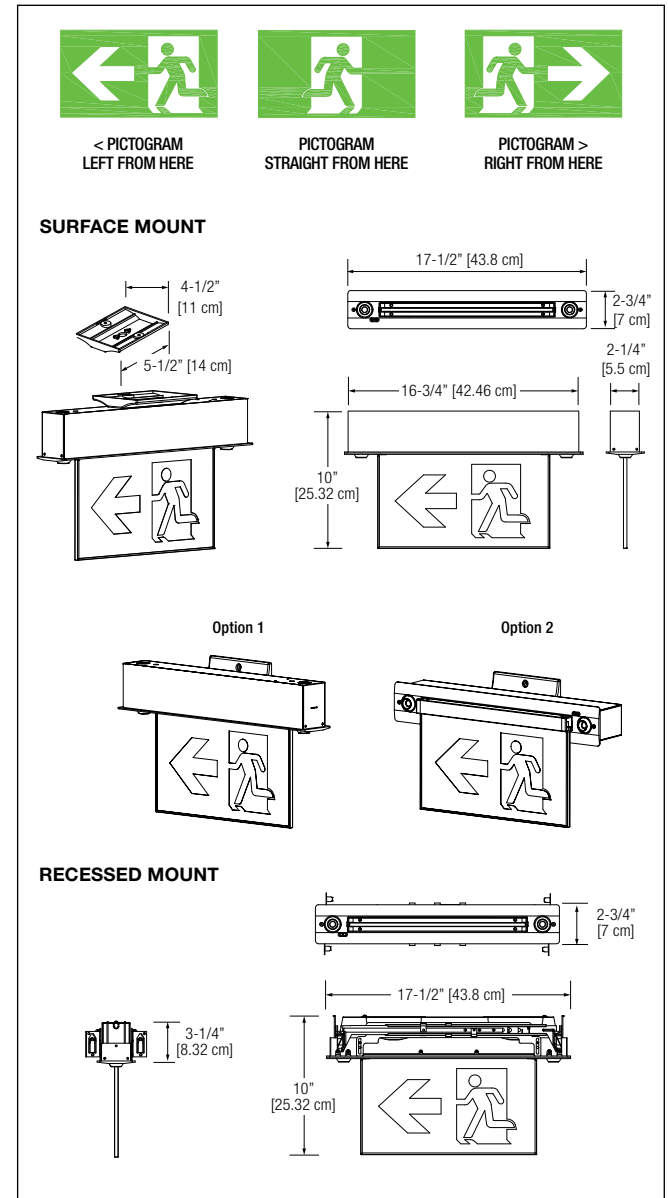


POWER CONSUMPTION

MODEL	AC SPECS		DC SPECS	
LAEC-2HO	120/347VAC, 60Hz	3W	Ni-MH battery	Minimum 90 minutes

DIMENSIONS

Dimensions are approximate and subject to change.



ORDERING INFORMATION

SERIES	FACE/ARROW (UNIVERSAL MOUNTING)	COLOUR	LAMP
LAEC	Blank= Universal faces	Blank= Factory white	-2HO= 2 high output LED lights

EXAMPLE: LAEC-2HO