



new product



LCB-HO LED Series

Commercial Battery Unit

FEATURES

- Fully adjustable LED glare-free lens
- 5.4W long life high output LED light source
- Provides 90' spacing at 7.5' mounting height
- Dual voltage input capability 120/347VAC
- Automatic, temperature compensated, pulse type charger
- Low voltage disconnect prevents over discharge of battery
- Automatic brownout protection
- Sealed 9.6V-12W Lithium-ion battery offering 90 minutes of emergency lighting
- Battery lock-out prevents discharge during installation
- Red LED charger monitor
- Momentary test switch allows for quick operational check
- Injection-molded thermoplastic ABS housing
- Rear keyhole slots and universal knock-outs to mount to any standard 4" junction box
- Fast and easy installation with snap-together design
- Ceiling or wall mount installation
- Comes standard with one (1) year warranty
- Meets or exceeds CSA C22.2 no.141-15

See warranty details at: www.tnb.ca/en/brands/lumacell

TYPICAL SPECIFICATIONS

The Contractor will install the Lumacell® LCB-HO LED battery unit. The emergency lighting system shall consist of fully automatic equipment with two high output LED heads. Each unit shall contain a fully automatic, solid state charger with test switch and AC ON pilot lights. The unit shall contain a sealed transfer circuit and low voltage disconnect circuit.

The battery shall be 9.6V with a capacity of 12W for 90 minutes. The unit shall be cUL approved to meet CSA 22.2 no. 141-15 standard.

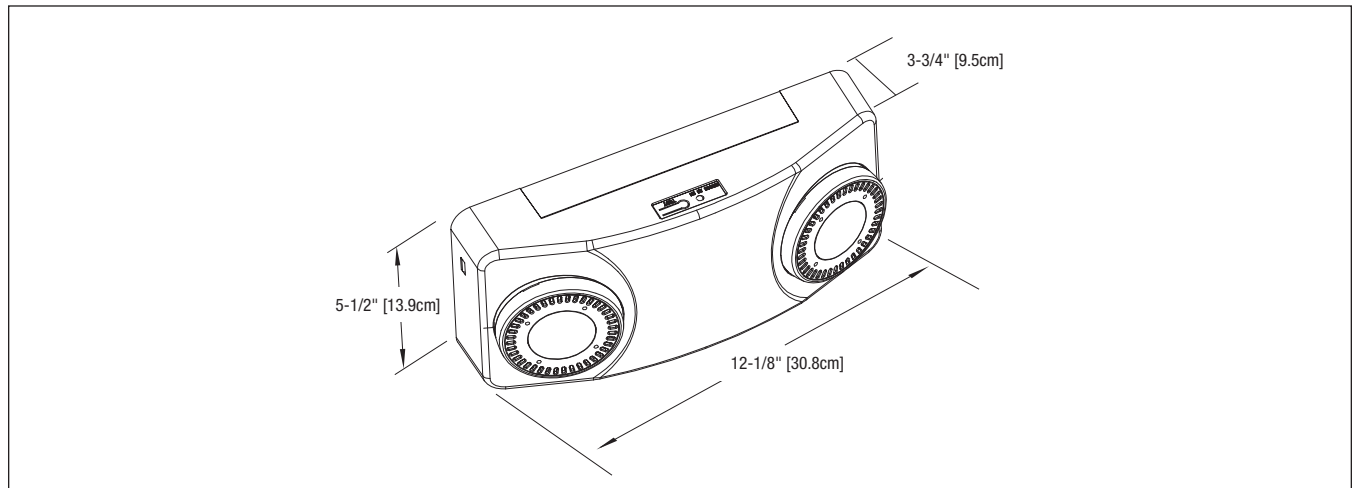
The unit shall be Lumacell® model: _____ .

POWER CONSUMPTION AND UNIT RATING

MODEL	AC SPECS			DC SPECS	
	VOLTS	CURRENT	POWER	BATTERY TYPE	MIN. RUN TIME
LCB-HO	120/347VAC	0.08 A	0.8 W	LifePO	Min. 90 minutes

DIMENSIONS

Dimensions are approximate and subject to change.



ORDERING INFORMATION

SERIES	VOLTAGE
LCB-HO= Commercial battery unit high output	Blank= 120/347VAC

EXAMPLE: LCB-HO