



new product

IPL-LEDN Series

IP65 Linear LED Fixture



FEATURES

- IP65 Rated
- Polycarbonate lens and thermoplastic enclosure, vandal resistant and UV stabilized
- Stainless steel hardware
- Ceiling, surface or pendant mounting
- Low profile, less than 4 inch deep
- 0-10V dimming standard on all models
- 120VAC to 277VAC universal, 347VAC optional
- Certified for wet and damp locations
- Expected life of 50 000 hours (L70), CCT 5000K
- Power factor > 0.90
- ROHS compliant
- Meets IEEE C.62.41-1991 input transient protection
- Available integral motion sensor
- Optional emergency driver
- 5 year limited warranty

See warranty details at: www.tnb.ca/en/brands/lumacell

TYPICAL SPECIFICATIONS

Supply and install Lumacell® IPL-LEDN Series linear LED fixtures as specified. The luminaire shall operate in 120-277VAC or 347VAC and use a high efficiency electronic driver. The lens shall be constructed of UV-stabilized industrial grade vandal-resistant polycarbonate and the enclosure of thermoplastic. A durable formed gasket shall be provided between the enclosure and the lens and shall be designed specifically for hostile environments. A metal plate used to retain the reflector also serves to dissipate heat, therefore lengthening driver life.

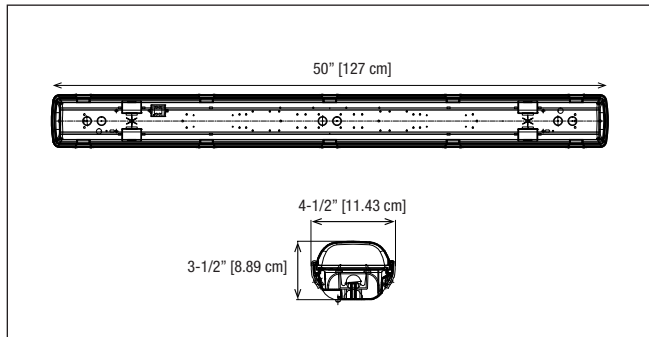
The fixture shall have five year warranty

The fixture shall be Lumacell® model: _____



DIMENSIONS

Dimensions are approximate and subject to change.



POWER CONSUMPTION

MODEL	COLOR TEMPERATURE	CRI	LUMENS	WATTS	AC SPECS	POWER FACTOR
IPL-LEDN35	3500K	80	4,244	35W	0.28/0.12A	PF>0.9
IPL-LEDN35	4000K	80	4,550	35W	0.29/0.13A	PF>0.9
IPL-LEDN35	5000K	80	4,585	35W	0.29/0.13A	PF>0.9
IPL-LEDN52	3500K	80	6,469	52W	0.43/ 0.18A	PF>0.9
IPL-LEDN52	4000K	80	6,760	52W	0.43/ 0.19A	PF>0.9
IPL-LEDN52	5000K	80	6,812	52W	0.43/ 0.19A	PF>0.9

ORDERING INFORMATION

MODEL	WATTAGE	COLOR TEMPERATURE	VOLTAGE	OPTIONS
IPL-LEDN	35= 35W 52= 52W	-35= 3500K -4= 4000K -5= 5000K	Blank= AC only 120-277VAC 3= 347VAC	EM= emergency LED driver* M= motion sensor *120VAC only

EXAMPLE: IPL-LEDN35-4M