



# SAF-T-RAY™ Series

NEMA-3R  
Wall Mount Remote Head



## FEATURES

- Compact wall sconce unit for indoor and outdoor use
  - High impact resistant polycarbonate diffuser
  - Die-cast aluminum housing
  - For outdoor and indoor use
  - Adjustable lamps
  - Vandal resistant option
  - CSA Certified to C22.2 No. 141-15
- See warranty details at: [www.tnb.ca/en/brands/lumacell](http://www.tnb.ca/en/brands/lumacell)

## TYPICAL SPECIFICATIONS

Wall mount unit shall be gasketed die-cast aluminum housing, impact resistant polycarbonate diffuser. The lamps shall be in adjustable for aisle or area distribution. Fixture shall be supplied with gasket and shall be suitable for installation on any four inch octagonal box.

The remote fixtures shall be certified to CSA 22.2 No.141-15

The remote unit shall be Lumacell® model: SAF \_\_\_\_\_.

## WIRE GUARDS

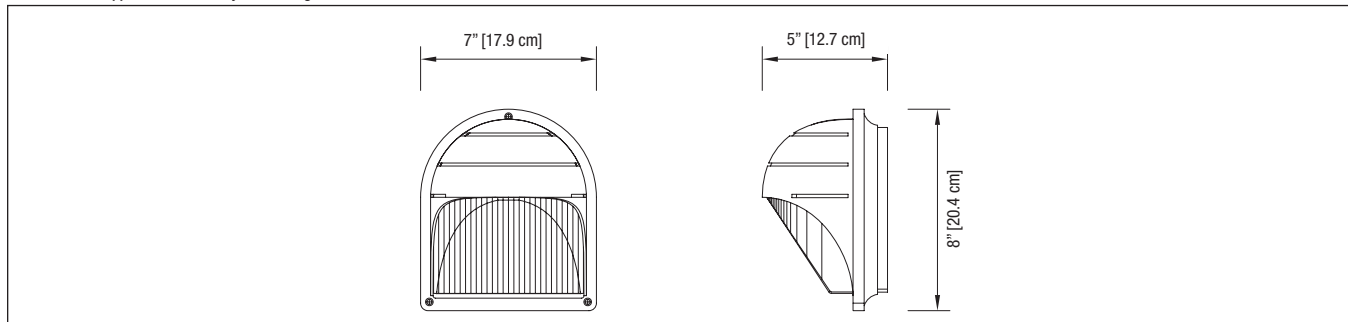
460.0082-L	Wall Mount
------------	------------

## REPLACEMENT LAMPS

MODEL	LAMP TYPE	VOLTAGE/WATTAGE
580.0097-L	MR16 LED	6V-4W
580.0122-L	MR16 LED	6V-5W
580.0093-L	MR16 LED	12V-4W
580.0104-L	MR16 LED	12V-5W
580.0106-L	MR16 LED	12V-6W
580.0098-L	MR16 LED	24V-4W
580.0100-L	MR16 LED	24V-6W
580.0113-L	MR16 LED	120V-4W

## DIMENSIONS

Dimensions are approximate and subject to change.



## ORDERING INFORMATION

SERIES	LAMP TYPE	VOLTAGE/ WATTAGE	COLOUR	OPTIONS
SAF= exterior remote	M= MR16	<b>Blank</b> = no lamp <b>LD1</b> = 2X MR16 LED, 6V-4W <b>LD2</b> = 2X MR16 LED, 6V-5W <b>LD7</b> = 2X MR16 LED, 12V-4W <b>LD9</b> = 2X MR16 LED, 12V-5W <b>LD10</b> = 2X MR16 LED, 12V-6W <b>LD13</b> = 2X MR16 LED, 24V-4W <b>LD14</b> = 2X MR16 LED, 24V-6W <b>LD26</b> = 2x MR16 LED, 120V-4W	<b>Blank</b> = factory white <b>BK</b> = black <b>DG</b> = dark grey	<b>C</b> = clear lens <b>VR</b> = vandal resistant screws*  <small>* 990.0119-L= tamper-proof bit (sold separately)</small>

EXAMPLE: SAFMLD1DG