

## Nexus®Pro Gateway



### Features

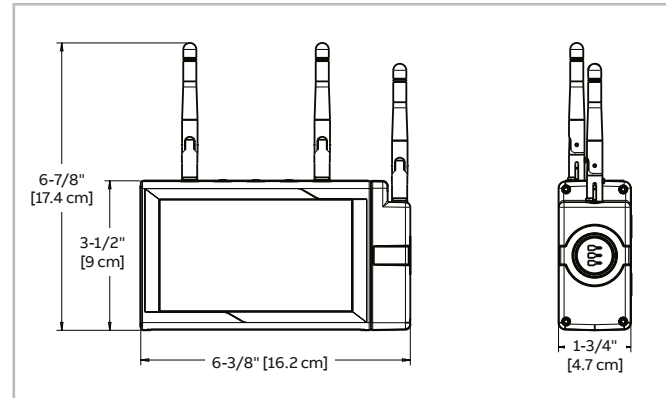
- IoT Gateway designed to deliver Bluetooth® Mesh connectivity
- Gateway can be connected wired or wirelessly to WiFi Routers
- One gateway required per building structure within Nexus®Pro<sup>1</sup>
- Each gateway communicates with up to 200 devices
- Supports WiFi connections on both 2.4 GHz and 5 GHz frequency bands for added flexibility
- Supplied with a 24VDC output
- Suitable for installation indoors in a secure location 0°C to 40°C (32°F to 104°F)
- RoHS compliant
- Gateway supplied with a Din-rail that can also be used for wall installation
- Comes standard with five (5) year warranty  
**Warranty details at: [www.tnb.ca/en/brands/emergi-lite](http://www.tnb.ca/en/brands/emergi-lite)**

<sup>1</sup>Note that multiple gateways can be physically installed in a building, supporting up to 200 emergency units each; however, in the Nexus®Pro app, gateways must be configured within separate digital building structures (e.g. if two gateways were installed in "Main Building", the gateways could be configured in the Nexus®Pro app as "Main Building 1" and "Main Building 2").



### Dimensions

Dimensions are approximate and subject to change.



### Weight

Catalog number	Weight
NEXP-GATEWAY-E	1 lb

### Power consumption

Catalog number	Power consumption
NEXP-GATEWAY-E	4W typical, 15W maximum

### Ordering information

Catalog number	Description
NEXP-GATEWAY-E	Nexus®Pro IoT Gateway