

## 3 Sided Extruded Aluminum Pictogram Sign



### IMPORTANT SAFEGUARDS

When using electrical equipment, basic safety precautions should always be followed including the following:

### READ AND FOLLOW ALL SAFETY INSTRUCTIONS

1. All servicing should be performed by qualified service personnel.
2. All unused wires must be insulated to prevent shorting.
3. Do not use outdoors.
4. Do not let power supply cords touch hot surfaces.
5. Do not mount near gas or electric heaters.
6. Equipment should be mounted in locations and at heights where it will not readily be subjected to tampering by unauthorized personnel.
7. The use of accessory equipment not recommended by the manufacturer may cause an unsafe condition.
8. Do not use this equipment for other than its intended use.
9. Units to be installed only as per configuration described in this instruction manual.

### SAVE THESE INSTRUCTIONS

#### Installation Instructions

1. Turn off AC power.
2. Remove face plates(11) from housing(7) by sliding the face plate upwards and pivoting the bottom outwards.
3. Install the appropriate pictogram panel(9) into each face plate by inserting the top of the panel into the groove of the face plate then insert the bottom of the panel into the bottom groove of the face plate (see Figure 3).
4. Do the same for the opal diffuser(8).
5. Follow the proper mounting procedure below.

#### Wall mounting (Figure 2)

- a. Route AC, and DC leads if applicable, of rated voltage into the junction box leaving 6" of wire.
- b. Knock out the proper hole pattern in the back plate(14) to mount to a standard junction box(1). Place a support on either side of the knockout to be removed and then knock out with a screwdriver.
- c. Feed AC supply leads, and DC leads if applicable, through the center hole.
- d. Mount the unit securely to the junction box using the junction box screws(3).

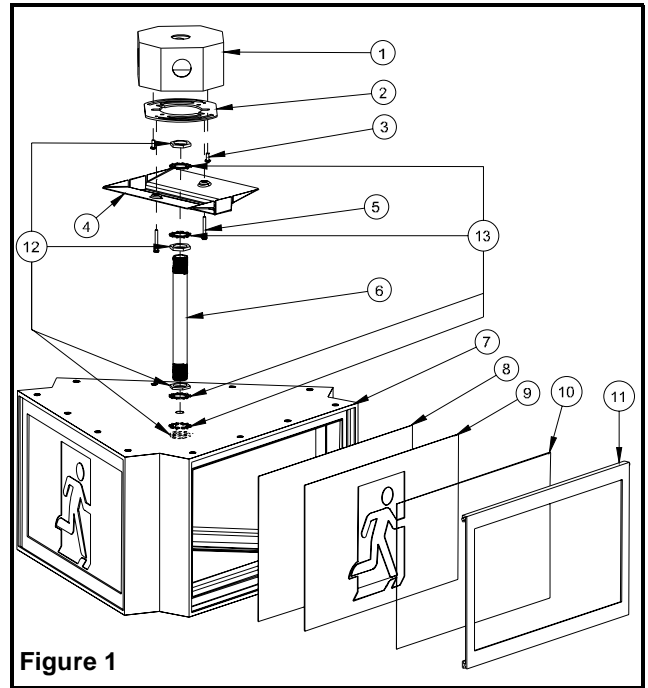


Figure 1

#### Parts List

- |   |  |
|---|--|
| 1. Junction box                         | 7. Housing                               |
| 2. Spider plate (Pendent mount only)    | 8. Opal diffusers (2 or 3)               |
| 3. Junction box screw (not provided)    | 9. Pictogram panels (2 or 3)             |
| 4. Canopy (Pendent mount only)          | 10. Clear panels (2 or 3)                |
| 5. Screw #8-32 (2) (Pendent mount only) | 11. Face plate (2 or 3)                  |
| 6. Stem (Pendent mount only)            | 12. Pal nut (4) (Pendent mount only)     |
|   | 13. Lock washer (4) (Pendent mount only) |
|   | 14. Back plate                           |

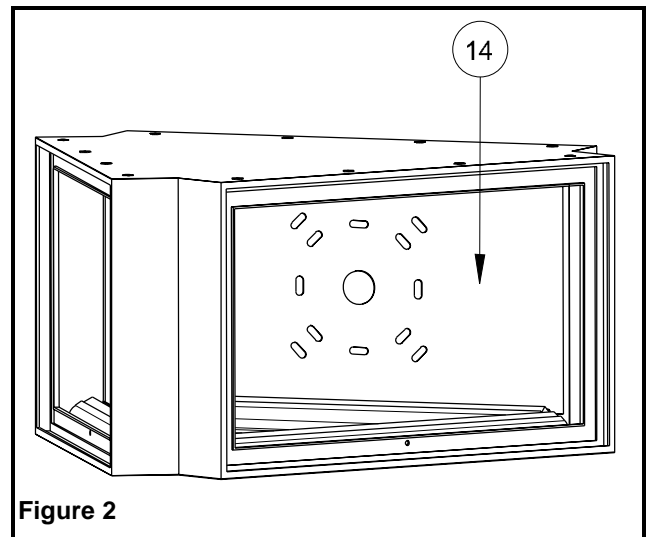


Figure 2

### Pendent mount (Figure 1)

- a. Measure an appropriate length of AC input wires, and DC wires if applicable, as a function of the desired length of stem. It is important to consider an extra 6 inches to make wire connections.
  - b. Feed wires into the junction box.
  - c. Feed wires through the spider plate(2) and attach it to the junction box.
  - d. Determine desired mounting orientation of sign.
  - e. Thread the 3/8" IPS pal nut(12) onto the stem approximately 1/2" from the end.
  - f. Slide one lock washer(13) onto the stem, slide the canopy(4) onto the stem. Slide the other lock washer onto the stem and secure with the 3/8" IPS pal nut to the stem flush to the end.
  - g. Use first pal nut to tighten the assembly.
  - h. Feed wire from spider plate through the stem-canopy assembly and attach the assembly to the spider plate using the 2 screws provided(5).
  - i. Thread the 3/8" IPS pal nut onto the stem approximately 1/2" from the end.
  - j. Slide one lock washer onto the stem, slide the housing and wire onto the stem. Slide the other lock washer onto the stem and secure with the 3/8" IPS pal nut to the stem flush to the end.
  - k. Use first pal nut to tighten the assembly.
6. Make the proper wire connections. The unit accepts an input voltage of 120 VAC to 347 VAC (see Figure 4).
    - a. Connect neutral to (white wire). Connect AC line to (purple wire).
    - b. Secure all excess wires inside the unit so that the wires will not leave any shadowing when lite.
  7. Re-install the face plates with pictogram panel assembly.
  8. Turn on AC supply. The legend will light.

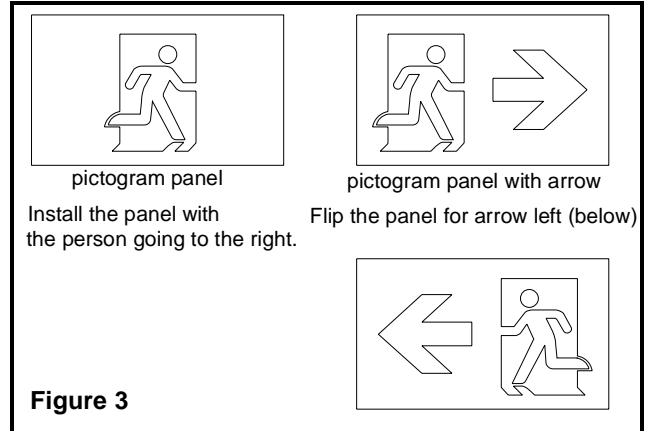


Figure 3

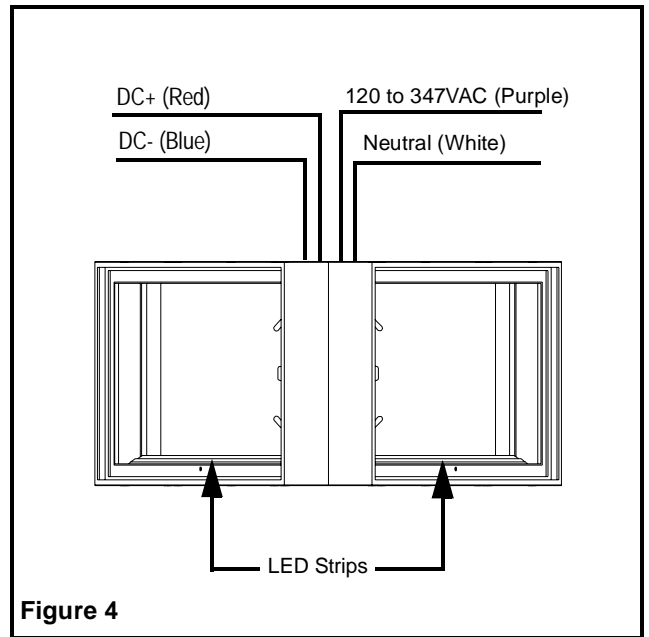


Figure 4

### AC/DC Models

Refer to Figure 4 for AC or DC wiring.

**For DC portion** Wire the Red lead (+) to the positive DC input voltage and the Blue lead (-) to the negative DC input voltage. Note: DC input voltage range is 6 volts to 24 volts.

### Maintenance

None required. Unit should be tested monthly in accordance with safety codes and local codes.

**Warranty:** For the complete warranty information, please refer to the landing page of our website (<http://www.tnb.ca/en/products/emergency-lighting/>).