

Pendant Kit



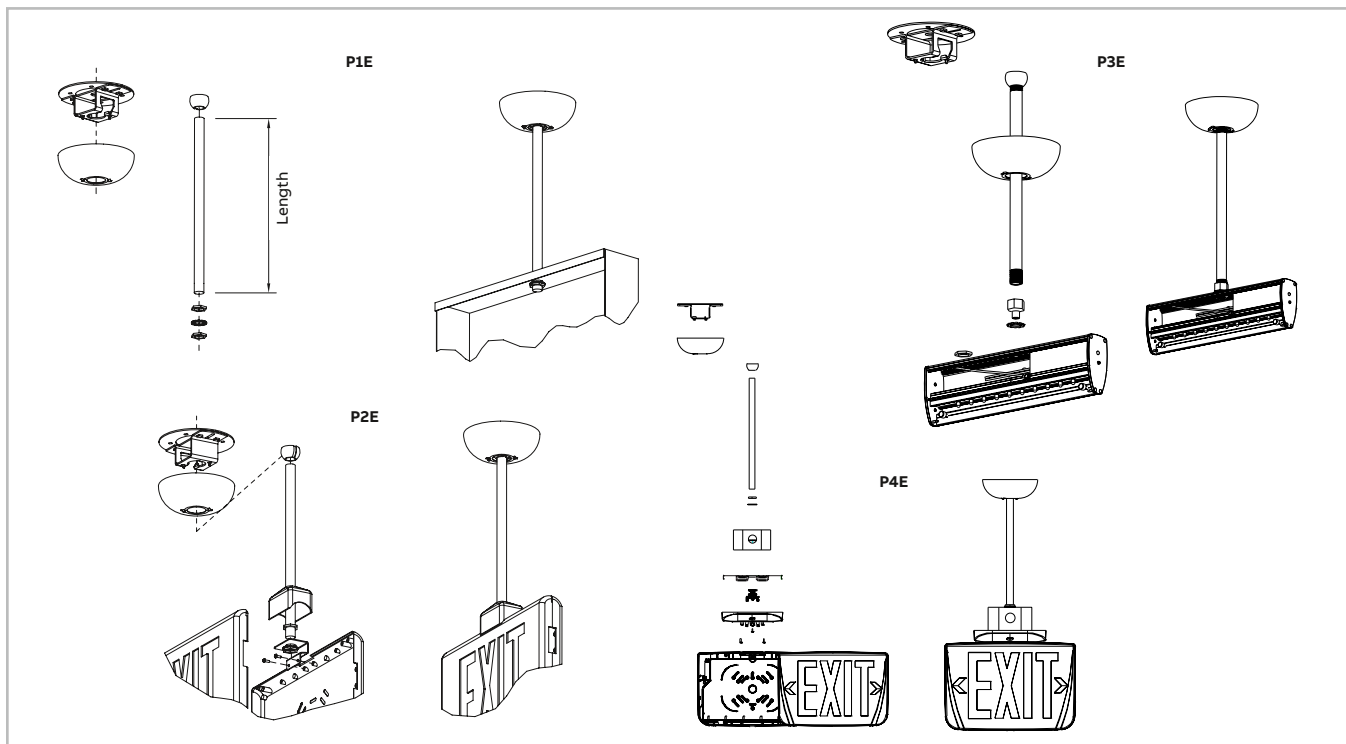
Typical specifications

Supply and install **Emergi-Lite® ET (PICTOGRAM) Series** self-luminous exit signs. The exit sign shall be constructed of a thermoplastic housing and be corrosion proof. The sealed housing will incorporate no loose or removable parts allowing for easy installation. The standard minimum guaranteed life will be 10 years. The standard mounting brackets will allow for either end/ceiling or wall mount. The initial average minimum brightness shall be 0.132 foot-lambert (0.452 cd/m²).

The equipment shall be **Emergi-Lite®** model: _____.

Dimensions

Dimensions are approximate and subject to change.



Ordering information

Series	Length (inches)		Colour
P1E ¹ Standard model of pendant	6	18	W= white
	12	24	B= black SG= silver grey
P2E ¹ Prestige™ Series	6	18	W= white
	12	24	B= black SG= silver grey
P3E ¹ Aluminum slim edge-lit	6	18	W= white
	12	24	B= black SG= silver grey
P4E ¹ Premier™ plastic exit	6	18	W= white
	12	24	B= black

¹Other lengths available on demand. Consult your sales representative