

## JMLC Series

Steel, compact, 6V and 12V



### Features

- Compact steel cabinet with corrosion-resistant undercoating
- Quick and easy installation – pre-assembled cordset, no batteries or board to remove before installation
- Universal Spider knockout pattern for junction box mounting
- Fully automatic solid-state charger with test switch and AC-on pilot light
- Sealed dust-proof transfer relay circuit and low-voltage disconnect
- Long-life, maintenance-free sealed
- NEXUS® compatible. Please consult your sales representative
- Heads require no tools for orientation
- Standard input 120 VAC with line cord installed
- 120/347 VAC without line cord
- Certified CSA C22.2 No.141
- Advanced diagnostics capabilities (specific load requirements)
- **Warranty details at: [www.emergi-lite.ca](http://www.emergi-lite.ca)**



### Typical specifications

The contractor shall install the **Emergi-Lite® JMLC Series** battery units. The emergency lighting system shall consist of fully automatic equipment with two emergency lighting heads. The unit shall be rated \_\_\_\_\_ V with a capacity of \_\_\_\_\_ W for 30 minutes of emergency operation.

The charger shall be factory set with a charging voltage tolerance of  $\pm 1\%$  to enable a longer battery life. The emergency light heads shall require no tools for adjusting or aiming. The metal cabinet shall be made of steel with anti-corrosion undercoating.

The unit equipped with the auto-test micro-controller board shall self-test 1 minute every 30 days, 10 minutes every 6 months and 30 minutes every 12 months. The unit shall be supplied with a test switch and diagnostic LED indicator lights to continuously monitor the status of the unit: Battery Failure, Battery Disconnect, Charger Failure, Lamp Failure, Service Alarm, main voltage AC "ON", Charger High Rate.

The unit shall be CSA certified to C22.2 no.141.

The unit shall be **Emergi-Lite®** model: \_\_\_\_\_.

### Wire guards

Ordering code	Description
460.0080-E	Wall mount

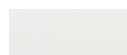
### Replacement lamps

Ordering code	Type	Voltage/wattage
580.0097-E	MR16, LED	6V-4W
580.0122-E	MR16, LED	6V-5W
580.0093-E	MR16, LED	12V-4W
580.0104-E	MR16, LED	12V-5W
580.0106-E	MR16, LED	12V-6W

### Housing colour



Black



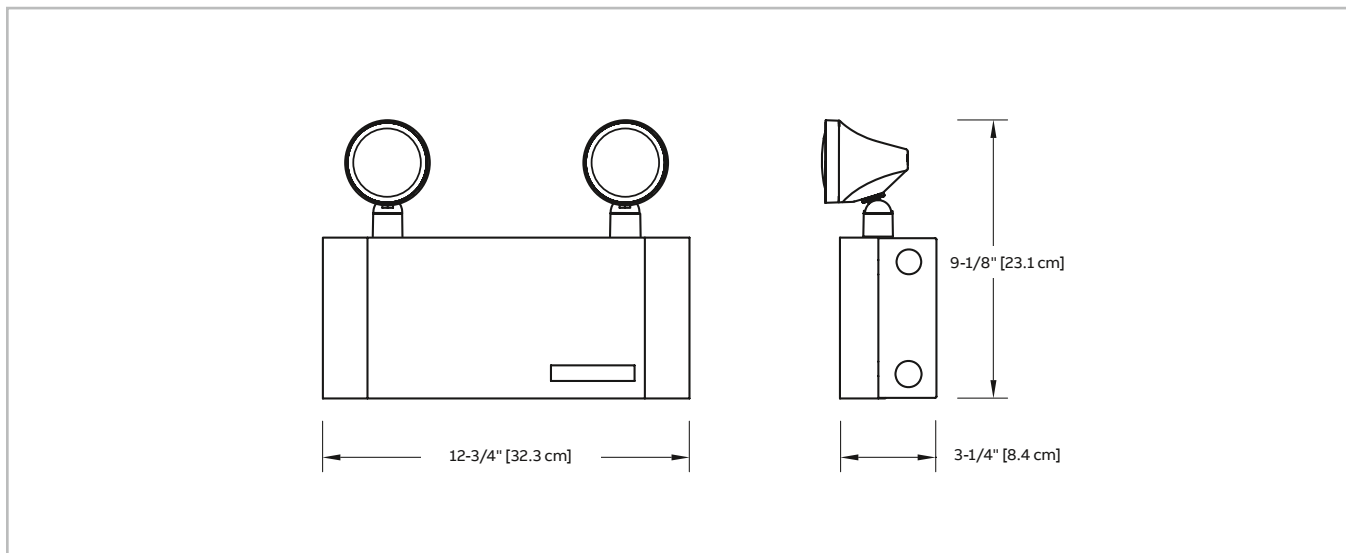
Factory white

## JMLC Series

Steel, compact, 6V and 12V

### Dimensions

Dimensions are approximate and subject to change.



### Power consumption and unit rating

Model	AC specs	Wattage capacity				
		30 min	1H00	1H30	2H00	4H00
06JMLC27	0.06/0.02 A	27	15	11	9	–
06JMLC44	0.18/0.06 A	44	26	18	15	7
06JMLC72	120/347VAC 0.19/0.07 A	72	42	30	24	12
12JMLC44	0.31/0.10 A	44	26	18	15	7
12JMLC72	0.31/0.10 A	72	42	30	24	12

### Ordering information

Series	Capacity	Colour	Voltage	Options	# of heads	Head style/wattage
06JMLC= 6V	27= 27W	BK= black	-2= 277VAC input	Blank= no options	/0= no heads	LA= MR16 LED, 6V-4W
	44= 44W	Blank= factory white	-3= 120/347VAC input	CT= cab-tire	/1= one head	LB= MR16 LED, 6V-5W
12JMLC= 12V	72= 72W		Blank= 120VAC c/w linecord	LW= twist-lock plug <sup>1</sup>	/2= two heads	LG= MR16 LED, 12V-4W
	44= 44W			NEX= NEXUS <sup>®</sup> system interface <sup>2</sup>		LI= MR16 LED, 12V-5W
	72= 72W			NEXRF= wireless NEXUS <sup>®</sup> system interface <sup>2</sup>		LJ= MR16 LED, 12V-6W
				U= auto-diagnostics <sup>2</sup>		
				UN= auto-diagnostics, non-audible <sup>2</sup>		

<sup>1</sup>120V is standard  
<sup>2</sup>Not available in 6V-72W.

Not all options available with NEXUS<sup>®</sup> system. Please consult your sales representative.

Example: 06JMLC44/2L1