

Max-Gard interconnection systems

200 A standard service



Device ratings and polarizations

Pole	Wire	Conductor placement	Voltage 60 hz	Cat. no. ▼	Standard bushing I.D. [†] (in.)	Cat. no. ▼	Standard bushing I.D. [†] (in.)
Product type				Male plug ^{††}		Female connector	
2	3		277	DS2104MP000	2 1/8	DF2104FP000	2 1/8
2	3		125	DS2107MP000	2 1/8	DF2107FP000	2 1/8
2	3		480	DS2204MP000	2 1/8	DF2204FP000	2 1/8
2	3		250	DS2207MP000	2 1/8	DF2207FP000	2 1/8
2	3		600	DS2214MP000	2 1/8	DF2214FP000	2 1/8
2	3		208	DS2216MP000	2 1/8	DF2216FP000	2 1/8
3	4		277/480	DS2304MP000	2 1/4	DF2304FP000	2 1/4
3	4		125/250	DS2307MP000	2 1/4	DF2307FP000	2 1/4
3	4		120/208	DS2316MP000	2 1/4	DF2316FP000	2 1/4
3	4		3Ø 480	DS2404MP000	2 1/4	DF2404FP000	2 1/4
3	4		3Ø 250	DS2407MP000	2 1/4	DF2407FP000	2 1/4
3	4		3Ø 600	DS2414MP000	2 1/4	DF2414FP000	2 1/4
3	4		3Ø 208	DS2416MP000	2 1/4	DF2416FP000	2 1/4
3	4		3Ø 440	DS2421MP000	2 1/4	DF2421FP000	2 1/4
4	5		3ØY 277/480	DS2504MP000	2 1/2	DF2504FP000	2 1/2
4	5		3ØY 347/600	DS2514MP000	2 1/2	DF2514FP000	2 1/2
4	5		3ØY 110/208	DS2516MP000	2 1/2	DF2516FP000	2 1/2
4	5		3ØY 250/440	DS2521MP000	2 1/2	DF2521FP000	2 1/2

Maximum 600 V AC or 250 V DC.

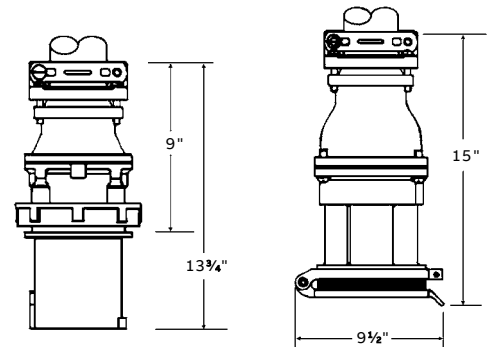
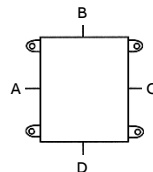
** If receptacle is desired with a straight adapter instead of standard angle adapter, substitute "S" for the "A" in the catalog number of the receptacle with angle adapter or adapter and box.

[†] Standard cable bushings shown; see page 32 for other sizes available at no extra cost if specified on order.

^{††} Always furnished with screw collar. We recommend cup cap with male plug; order catalog number DS2CC.

▼ Control contacts for plug/receptacles: Use "K" where noted. Ex: DS2104MP00K. For adapters, junction boxes and accessories, see pages 32–35.

Diagrams



Male plug

Female connector



Staten Island Ferry
Solution 200 A



01



02



03



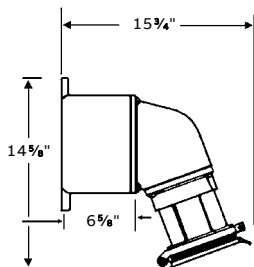
04

- 01 200 A Max-Gard connections on ferry deck
- 02 200 A Max-Gard inlets with disconnects
- 03 30 A and 200 A Max-Gard interlocks
- 04 200 A Max-Gard interlocks in parallel

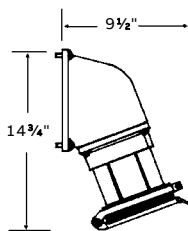
Pole	Wire	Cat. no. ▼	Cat. no. ▼	Cat. no. ▼
Product type		Female receptacle with angle adapter** and junction box	Female receptacle with angle adapter**	Female receptacle
2	3	DF2104FRABØ	DF2104FRAØØ	DF2104FRØØØ
2	3	DF2107FRABØ	DF2107FRAØØ	DF2107FRØØØ
2	3	DF2204FRABØ	DF2204FRAØØ	DF2204FRØØØ
2	3	DF2207FRABØ	DF2207FRAØØ	DF2207FRØØØ
2	3	DF2214FRABØ	DF2214FRAØØ	DF2214FRØØØ
2	3	DF2216FRABØ	DF2216FRAØØ	DF2216FRØØØ
3	4	DF2304FRABØ	DF2304FRAØØ	DF2304FRØØØ
3	4	DF2307FRABØ	DF2307FRAØØ	DF2307FRØØØ
3	4	DF2316FRABØ	DF2316FRAØØ	DF2316FRØØØ
3	4	DF2404FRABØ	DF2404FRAØØ	DF2404FRØØØ
3	4	DF2407FRABØ	DF2407FRAØØ	DF2407FRØØØ
3	4	DF2414FRABØ	DF2414FRAØØ	DF2414FRØØØ
3	4	DF2416FRABØ	DF2416FRAØØ	DF2416FRØØØ
3	4	DF2421FRABØ	DF2421FRAØØ	DF2421FRØØØ
4	5	DF2504FRABØ	DF2504FRAØØ	DF2504FRØØØ
4	5	DF2514FRABØ	DF2514FRAØØ	DF2514FRØØØ
4	5	DF2516FRABØ	DF2516FRAØØ	DF2516FRØØØ
4	5	DF2521FRABØ	DF2521FRAØØ	DF2521FRØØØ

Maximum lug wire 4/0 AWG 19-strand or flexible, cable entrance 0.625" diameter.
 Receptacles furnished with flap cap also have screw thread to accept male collar on plug.
 Catalog numbers shown are for flap cap receptacles; change "DF" to "DS" for ordering screw cap.
 Boldface figures are for voltage assignment. For different ratings, see page 38.
 Outlet furnished at location "B" unless otherwise specified. 3" NPT.
 For full polarization, see page 38.

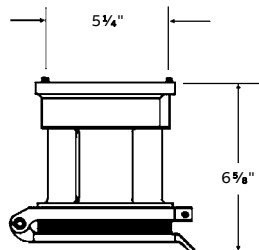
Diagrams



Female receptacle with angle adapter and junction box



Female receptacle with angle adapter



Female receptacle

Max-Gard interconnection systems

200 A reverse service



Device ratings and polarizations

Pole	Wire	Conductor placement	Voltage 60 hz	Cat. no. ▼	Standard bushing I.D. [†] (in.)	Cat. no. ▼	Standard bushing I.D. [†] (in.)
Product type				Female connector		Male plug ^{**}	
2	3		277	DF2104FP000	2 1/8	DS2104MP000	2 1/8
2	3		125	DF2107FP000	2 1/8	DS2107MP000	2 1/8
2	3		480	DF2204FP000	2 1/8	DS2204MP000	2 1/8
2	3		250	DF2207FP000	2 1/8	DS2207MP000	2 1/8
2	3		600	DF2214FP000	2 1/8	DS2214MP000	2 1/8
2	3		208	DF2216FP000	2 1/8	DS2216MP000	2 1/8
3	4		277/480	DF2304FP000	2 1/4	DS2304MP000	2 1/4
3	4		125/250	DF2307FP000	2 1/4	DS2307MP000	2 1/4
3	4		120/208	DF2316FP000	2 1/4	DS2316MP000	2 1/4
3	4		3Ø 480	DF2404FP000	2 1/4	DS2404MP000	2 1/4
3	4		3Ø 250	DF2407FP000	2 1/4	DS2407MP000	2 1/4
3	4		3Ø 600	DF2414FP000	2 1/4	DS2414MP000	2 1/4
3	4		3Ø 208	DF2416FP000	2 1/4	DS2416MP000	2 1/4
3	4		3Ø 440	DF2421FP000	2 1/4	DS2421MP000	2 1/4
4	5		3ØY 277/480	DF2504FP000	2 1/2	DS2504MP000	2 1/2
4	5		3ØY 347/600	DF2514FP000	2 1/2	DS2514MP000	2 1/2
4	5		3ØY 110/208	DF2516FP000	2 1/2	DS2516MP000	2 1/2
4	5		3ØY 250/440	DF2521FP000	2 1/2	DS2521MP000	2 1/2

Maximum 600 V AC or 250 V DC.

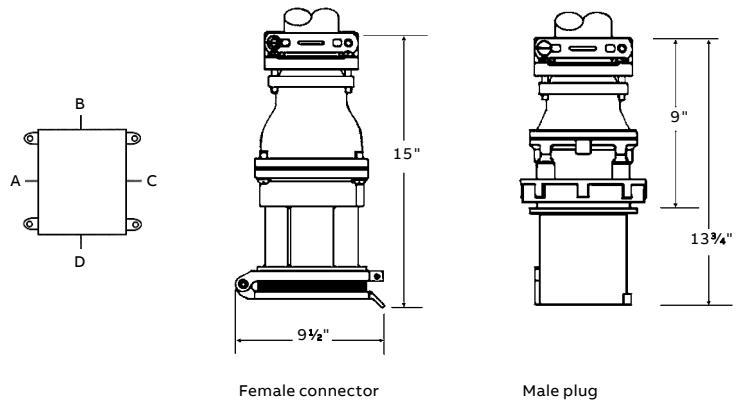
** If receptacle is desired with a straight adapter instead of standard angle adapter, substitute "S" for the "A" in the catalog number of the receptacle with angle adapter or adapter and box.

[†] Standard cable bushings shown; see page 32 for other sizes available at no extra cost if specified on order.

^{**} Always furnished with screw collar. We recommend cup cap with male plug; order catalog number DS2CC.

▼ Control contacts for plug/receptacles: Use "K" where noted. Ex: DS2104MR00K. For adapters, junction boxes and accessories, see pages 32–35.

Diagrams





MMI Trailer
Solution 200 A



Application:
Electrical hook-up of mobile medical imaging (MMI) trailers.

Mobile medical units provide trailer-transportable blood banks, dental clinics, magnetic resonance imaging (MRI), X-ray and other diagnostic equipment to many hospitals and clinics throughout the country on a regular leased basis. Safe outdoor usage connections are required for up to 200 A power supplies at each facility. Major specialized custom trailer manufacturers rely on the Max-Gard 200 A interface.

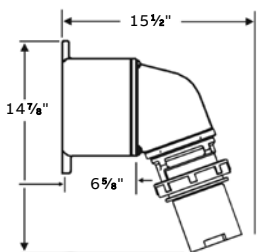
Installation:
Site-mounted 200 A receptacles with trailer-mounted plugs and connectors.

When a mobile medical unit trailer is at the desired location, a heavy-duty Max-Gard 200 A cable assembly connects the trailer with a corresponding receptacle or connector at each site, usually mounted on an outside wall. A primary safety feature is the receptacle's gated deadfront construction that ensures no exterior access to live receptacle contacts. With so many different hands involved on a daily basis, the Max-Gard epoxy powder-coat finish and rugged waterproof construction provide hospital-safe long service life.

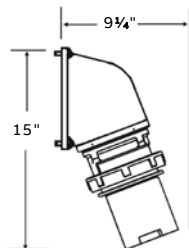
Pole	Wire	Cat. no. ▼ Male inlet with angle enclosure	Cat. no. ▼ Male inlet with angle adapter**	Cat. no. ▼ Male inlet**
2	3	DS2104MRABØ	DS2104MRAØØ	DS2104MRØØØ
2	3	DS2107MRABØ	DS2107MRAØØ	DS2107MRØØØ
2	3	DS2204MRABØ	DS2204MRAØØ	DS2204MRØØØ
2	3	DS2207MRABØ	DS2207MRAØØ	DS2207MRØØØ
2	3	DS2214MRABØ	DS2214MRAØØ	DS2214MRØØØ
2	3	DS2216MRABØ	DS2216MRAØØ	DS2216MRØØØ
3	4	DS2304MRABØ	DS2304MRAØØ	DS2304MRØØØ
3	4	DS2307MRABØ	DS2307MRAØØ	DS2307MRØØØ
3	4	DS2316MRABØ	DS2316MRAØØ	DS2316MRØØØ
3	4	DS2404MRABØ	DS2404MRAØØ	DS2404MRØØØ
3	4	DS2407MRABØ	DS2407MRAØØ	DS2407MRØØØ
3	4	DS2414MRABØ	DS2414MRAØØ	DS2414MRØØØ
3	4	DS2416MRABØ	DS2416MRAØØ	DS2416MRØØØ
3	4	DS2421MRABØ	DS2421MRAØØ	DS2421MRØØØ
4	5	DS2504MRABØ	DS2504MRAØØ	DS2504MRØØØ
4	5	DS2514MRABØ	DS2514MRAØØ	DS2514MRØØØ
4	5	DS2516MRABØ	DS2516MRAØØ	DS2516MRØØØ
4	5	DS2521MRABØ	DS2521MRAØØ	DS2521MRØØØ

Maximum lug wire 4/0 AWG 19-strand or flexible, cable entrance 0.625" diameter.
Receptacles furnished with flap cap also have screw thread to accept male collar on plug.
Catalog numbers shown are for flap cap receptacles; change "DF" to "DS" for ordering screw cap.
Boldface figures are for voltage assignment. For different ratings, see page 38.
Outlet furnished at location "B" unless otherwise specified. 3" NPT.
For full polarization, see page 38.

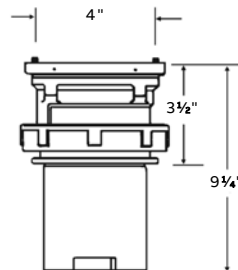
Diagrams



Male inlet with angle enclosure



Male inlet with angle adapter



Male inlet