

Red Dot Weatherproof metallic lampholders

Lampholder covers

Round lampholder covers

- Heavy-duty die-cast construction
- Powder-coat finish in grey, bronze or white
- Three-hole cover is supplied with a ½" closure plug
- Supplied with sealing gasket and cover screw



S-12



S213E-R

Standard covers



| Cat. no. | Colour | Hub size (in.) | Description | Std. ctn. |
|---|--------|----------------|--------------------|-----------|
| Gaskets and screws, 4½" diameter | | | | |
| S-12 | Grey | ¾ | One tapped hole | 50 |
| S211E | Grey | ½ | One tapped hole | 18 |
| S211BKE | Black | ½ | One tapped hole | 18 |
| S211BRE | Bronze | ½ | One tapped hole | 12 |
| S211WHE | White | ½ | One tapped hole | 12 |
| S213E-R | Grey | ½ | Three tapped holes | 15 |
| S213BRE | Bronze | ½ | Three tapped holes | 9 |
| S213WHE | White | ½ | Three tapped holes | 9 |



SJ-11



SJ-31

Jumbo covers



| Cat. no. | Colour | Hub size (in.) | Description | Std. ctn. |
|---|--------|----------------|--------------------|-----------|
| Gaskets and screws, 4½" diameter | | | | |
| SJ-11 | Grey | ½ | One tapped hole | 36 |
| SJ-31 | Grey | ½ | Three tapped holes | 36 |



S201E



LC-21



S203E-R

Single-gang lampholder covers – standard 2¹³/₁₆" x 4¹/₂"



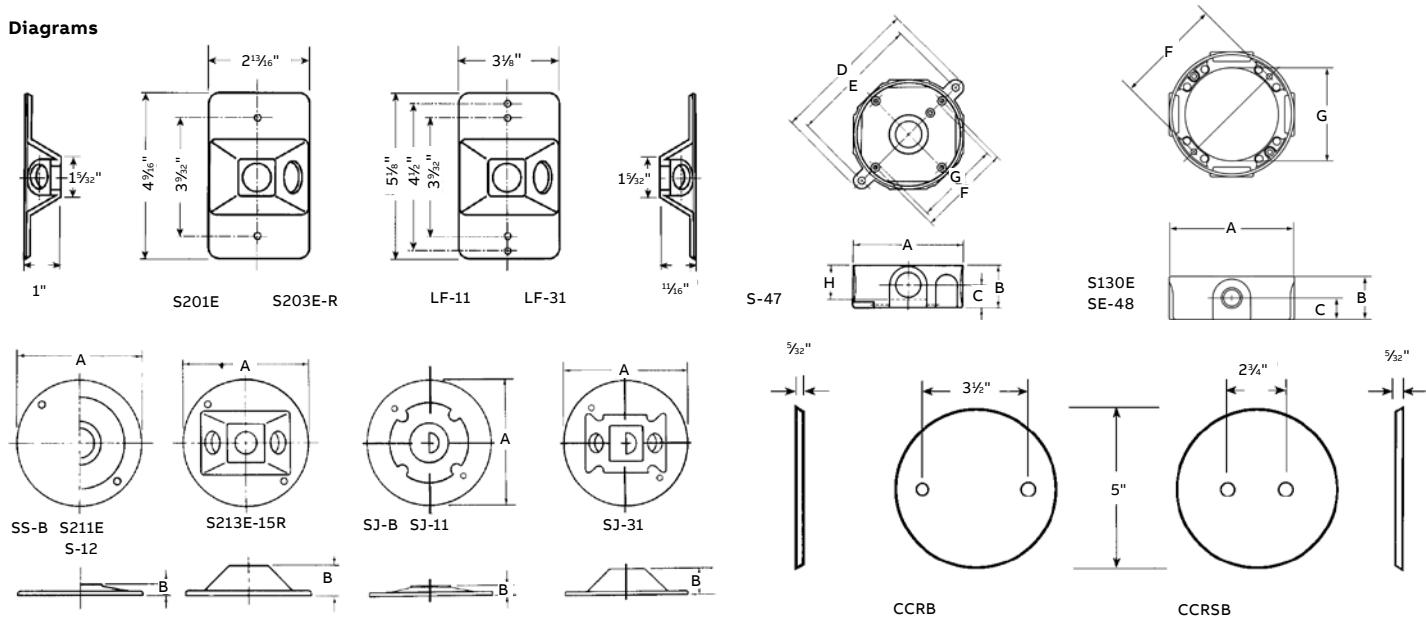
| Cat. no. | Colour | Size (in.) | Description | Std. ctn. |
|----------|--------|------------|-------------------------|-----------|
| S201E* | Grey | ½ | One-hole device mount | 20 |
| S203E-R | Grey | ½ | Three-hole device mount | 15 |
| S203BRE | Bronze | ½ | Three-hole device mount | 7 |
| S203WHE | White | ½ | Three-hole device mount | 7 |

*cULus

Red Dot Weatherproof metallic lampholders

Dimensions and photometrics

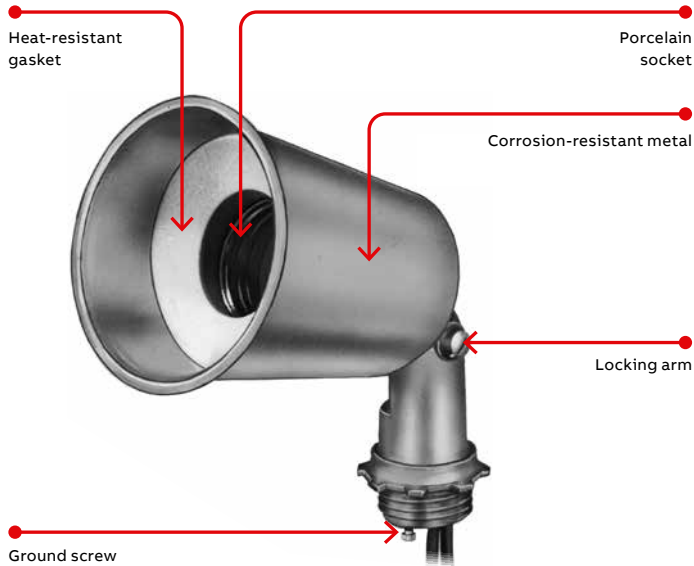
Diagrams



| Cat. no. | Hub size | Dimensions (in.) | | | | | | | | |
|-----------|----------|------------------|--------|-------|--------|---------|-------|--------|-------|------|
| | | A | B | C | D | E | F | G | H | CI |
| S-47 | 1/2 | 4 1/8 | 1 5/8 | 3/4 | 5 9/16 | 4 15/16 | 3 1/2 | 3 3/8 | 1 1/4 | 16.0 |
| S130E | 1/2 | 4 1/8 | 1 5/8 | 13/16 | - | - | 3 1/2 | 3 1/16 | - | 18.3 |
| S-48 | 3/4 | 4 1/8 | 1 5/8 | 7/8 | 5 9/16 | 4 15/16 | 3 1/2 | 3 3/8 | 1 1/4 | 17.0 |
| SE-48 | 3/4 | 4 1/8 | 1 5/8 | 13/16 | - | - | 3 1/2 | 3 1/16 | - | 18.3 |
| SS-B | - | 4 1/8 | 3/64 | - | - | - | - | - | - | - |
| S211E | 1/2 | 4 1/8 | 13/32 | - | - | - | - | - | - | - |
| S-12 | 3/4 | 4 1/8 | 3/8 | - | - | - | - | - | - | - |
| S213E-15R | 1/2 | 4 1/8 | 1 1/16 | - | - | - | - | - | - | - |
| SJ-B | - | 4 1/2 | 3/8 | - | - | - | - | - | - | - |
| SJ-11 | 1/2 | 4 1/2 | 3/8 | - | - | - | - | - | - | - |
| SJ-31 | 1/2 | 4 1/2 | 1 | - | - | - | - | - | - | - |

Red Dot Weatherproof metallic lampholders

Lampholders, garden lights and accessories



Ground screw



S500EG-CN



S513EG-CN

Applications:

- Security and general outdoor lighting fixture for residential and commercial applications
- Accent lighting fixture for highlighting outdoor signs and architectural details
- Compact outdoor lighting fixture that can be mounted easily in most places and aimed in any direction

Features/benefits:

- Clean lines and precision manufacturing result in a fixture that will enhance any application
- High-quality replaceable porcelain socket with high-temperature leads enables easy field maintenance
- Positive-locking mounting arm keeps fixture in aimed position to reduce costly callbacks
- Ground screw boss in arm

Standard materials:

- Fixture: Zinc die-cast alloy
- Gasket: Heat-resistant composition or high-temperature silicone
- Socket: Center contact, porcelain, medium base

Standard finish:

- Powder-coated finish

Compliances:

- UL listed and CSA certified
- Suitable for use in wet locations

Red Dot Weatherproof metallic lampholders

Lampholders and outlet box kits



S500EG-CN

Lampholders, die-cast zinc



| Cat. no. | Colour | Wattage | Description | Std. ctn. |
|-----------------|--------|---------------------|--|-----------|
| Standard | | | | |
| S500BKEG-CN | Black | 150W• PAR 38 or R40 | Heavy-duty slip-on gasket and ground screw | 20 |
| S500BREG-CN | Bronze | 150W• PAR 38 or R40 | Heavy-duty slip-on gasket and ground screw | 20 |
| S500WHEG-CN | White | 150W• PAR 38 or R40 | Heavy-duty slip-on gasket and ground screw | 20 |
| S500EG-CN | Grey | 150W• PAR 38 or R40 | Heavy-duty slip-on gasket and ground screw | 20 |



SPK6-P-GR

Spike lights (zinc)



| Cat. no. | Finish | Description |
|-----------|--------|--------------------------------|
| SPK6-P-GR | Green | Portable lamp, 6' cord – metal |
| SPK6-P-BK | Black | Portable lamp, 6' cord – metal |
| SPK6-P-BR | Bronze | Portable lamp, 6' cord – metal |



S513EG-CN

Decorative floodlight



| Cat. no. | Colour | Wattage | Description | Std. ctn. |
|-------------|--------|---------------------|--|-----------|
| S513EG-CN | Grey | 150W• PAR 38 or R40 | Two lampholders, round cover, inside ground screws | 8 |
| S513BKEG-CN | Black | 150W• PAR 38 or R40 | Two lampholders, round cover, inside ground screws | 8 |
| S513BREG-CN | Bronze | 150W• PAR 38 or R40 | Two lampholders, round cover, inside ground screws | 8 |
| S513WHEG-CN | White | 150W• PAR 38 or R40 | Two lampholders, round cover, inside ground screws | 8 |

Red Dot Weatherproof metallic lampholders

Lampholders, outlet box kits and vaportight lighting



B228E-R

Contemporary floodlight, aluminum



| Cat. no. | Colour | Wattage | Description | Std. ctn. |
|-----------|--------|---------|---|-----------|
| B228E-R | Grey | 150W | Two reflectors, round cover, gasket, hardware | 2 |
| B228BKE-R | Black | 150W | Two reflectors, round cover, gasket, hardware | 2 |
| B228BRE-R | Bronze | 150W | Two reflectors, round cover, gasket, hardware | 2 |
| B228WHE-R | White | 150W | Two reflectors, round cover, gasket, hardware | 2 |



S212G-CN

Traditional floodlight



| Cat. no. | Colour | Wattage | Description | Std. ctn. |
|------------|--------|---------|--|-----------|
| S212G-CN | Grey | 150W | Two lampholders, round cover, gasket, round box and hardware | 4 |
| S212BKG-CN | Black | 150W | Two lampholders, round cover, gasket, round box and hardware | 4 |
| S212BRG-CN | Bronze | 150W | Two lampholders, round cover, gasket, round box and hardware | 4 |
| S212WHG-CN | White | 150W | Two lampholders, round cover, gasket, round box and hardware | 4 |



S312E-CN

Universal single-gang metallic duplex receptacle outlet box kit, weather- and tamper-resistant, horizontal or vertical

| Cat. no. | Colour | Description | Std. ctn. |
|------------|--------|------------------------------|-----------|
| S312E-CN | Grey | Three ½ in. hubs, 18 cu. in. | 4 |
| S312BRE-CN | Bronze | Three ½ in. hubs, 18 cu. in. | 4 |
| S312WHE-CN | White | Three ½ in. hubs, 18 cu. in. | 4 |



S315WHE-CN

Universal single-gang metallic GFCI receptacle outlet box kit, weather- and tamper-resistant, horizontal or vertical

| Cat. no. | Colour | Description | Std. ctn. |
|------------|--------|------------------------------|-----------|
| S315E-CN | Grey | Three ½ in. hubs, 18 cu. in. | 4 |
| S315WHE-CN | White | Three ½ in. hubs, 18 cu. in. | 4 |



MCL150C



MCL150W

Ceiling mount and wall mount



| Cat. no. | Hub size (in.) | Wattage | Description |
|--------------------------------|----------------|---------|--|
| Ceiling mount (5 holes) | | | |
| MCL150C | 1 | 150W | Can be surface mounted or mounted to a junction box. Kit includes: Aluminum housing, junction box, globe and guard assembly. |
| Wall mount (5 holes) | | | |
| MCL150W | 1 | 150W | Can be surface mounted in a vertical position (globe pointed down only). Kit includes: Aluminum housing, junction box, globe and guard assembly. |