

Another innovative solution for Wire and Cable Management

Super-Duty Splice Plate™ for Steel Ladder Tray

Reduce supports and installation costs

The NEW ultra-robust Super-Duty Splice Plate™ allows cost-efficient expansion splicing by reducing the need for supports. Engineers, end-users and contractors benefit from significant cost reductions without sacrificing quality or structural integrity.



High-strength design enables reduction of supports recommended for NEMA standard installations at the expansion joint, significantly reducing material and labour costs

Unique reinforced design eliminates the need to drill and install additional hardware on the flange, saving installation time

Nylon retaining washers enable hands-free installation and allow grease-free expansion

No lubrication of siderail required during installation or maintenance

Available in 4-, 5-, 6- and 7-inch siderail heights

Designed and manufactured in Canada

Cost reduction - eliminate supports

Labour saving - no drilling, no additional hardware

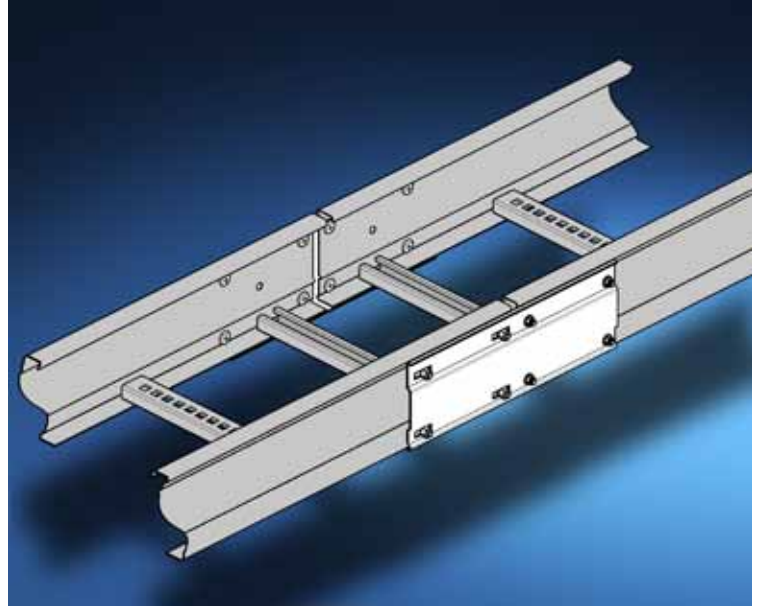
Efficiency - superior, grease-free expansion/contraction



Super-Duty Splice Plate™ for Steel Ladder Tray

Super strength, superior design

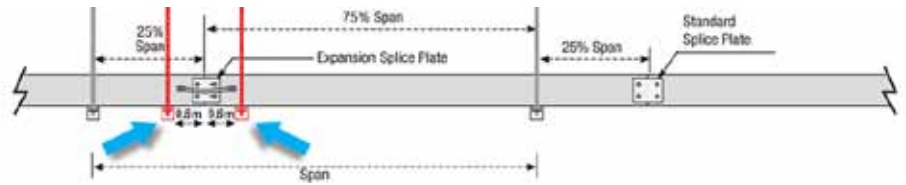
- Extra-wide (13") high-strength, pre-galvanized, hot-dip galvanized or stainless steel
- Unique design maximizes rigidity, resistance and overall strength
- Tested and rated for 6" steel side rails:
Series S*4, S*5, S*6, S*7
* = P (pre-galvanized), H (hot-dip galvanized) or S (stainless steel)
- Nylon washers make movement easier and reduce friction
- No hardware required for installation on flange
- Allows for true contraction/expansion under full loads
- No lubrication of the side rail required during installation or maintenance
- Supplied with all hardware required



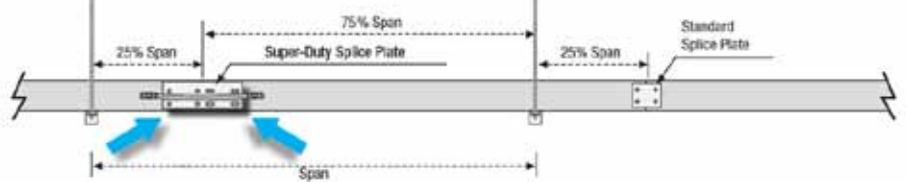
N.B.: For purposes of illustration, bonding jumper not shown but is required at expansion joints.

Expansion splicing - reduce NEMA-recommended supports

**ADDITIONAL SUPPORTS
PER NEMA STANDARD INSTALLATION**



**NO ADDITIONAL SUPPORTS NEEDED
WITH SUPER-DUTY SPLICE PLATE™**



Atlantic Provinces

Thomas & Betts Limited
Tel.: (902) 450-1307
Toll Free: 1-877-862-4357
Fax: (902) 450-1309

Quebec

Thomas & Betts Limited
Tel.: (450) 466-1102
Toll Free: 1-800-465-1399
Fax: (450) 466-1163

Ontario

Thomas & Betts Limited
Tel.: (905) 635-7888
Toll Free: 1-877-291-7771
Fax: (905) 635-7889

Manitoba/Saskatchewan

Thomas & Betts Limited
Tel.: (604) 598-9811
Toll Free: 1-866-540-8220
Fax: (604) 598-9840

Alberta

Thomas & Betts Limited
Tel.: (780) 424-7092
Toll Free: 1-888-664-5666
Fax: (780) 424-7093
Toll Free: 1-866-424-4082

British Columbia

Thomas & Betts Limited
Tel.: (604) 598-9811
Toll Free: 1-866-540-8220
Fax: (604) 598-9840

Thomas & Betts. Your best connection for innovative solutions.