

SELL SHEET

# Iberville® AMC Series

## Aluminum range-taking fittings



- Features, benefits and technical specifications of this new range of cable fittings for armoured and Teck 90 cables.

## Iberville AMC Series

Aluminum cable fittings for armoured and Teck 90 cables

Metallic cable glands suitable for jacketed and non-jacketed metal clad and Teck 90 cables designed for optimum integrity in general and industrial applications.

### Certifications / Standards:



### Features and benefits:

- Excellent pull-out strength
- Robust metallic construction
- Quick and easy installation without disassembly
- Provides grounding continuity of cable armor via proven spring methodology
- Splined gland and gripping features for ease of installation
- Locknut included

### Applications:

- Provides means for terminating jacketed and non-jacketed metal clad and Teck 90 cables to a bulkhead or enclosure in industrial applications
- Mining, oil and gas, chemical and industrial markets
- Construction and installation zones where metal clad and Teck 90 cables are specified

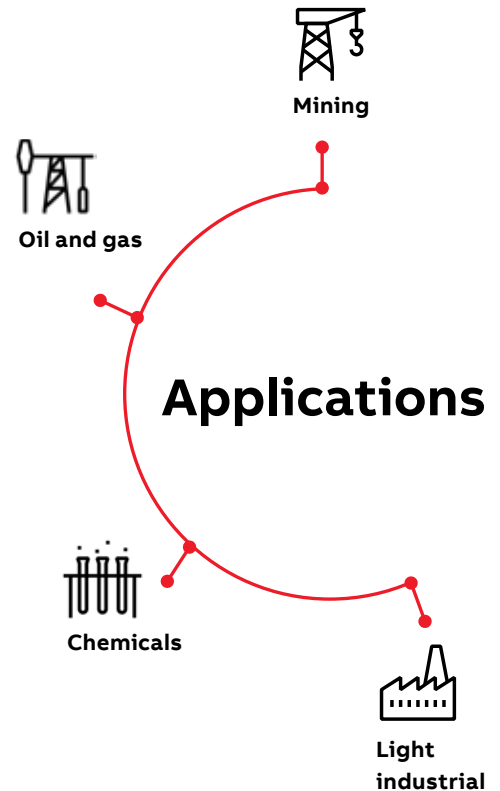


### Conforms to:

- CSA C22.2-18.3/-94.2 and UL514B/50E
  - Wet and Dry Location
- RoHS (Restriction of Hazardous Substances Directive) 2011/65/EU/ Incorporating 2015/863 amendment to Annex II

### Compatible with cable types:

- Teck 90
- Type MC (aluminum/steel)
  - Jacketed interlocking armor (MCI, MCI-A)
  - Jacketed corrugated metal clad (MCC)
- ACWU90 / ACGWU90
- AC90 / ACG90



**Material:**

- Copper-free aluminum
- Chloroprene seal
- Copper-plated stainless steel spring
- Zinc or aluminum locknut

**Working temperature:**

- Normal use: -25 to +90°C (-13 to +194°F)

**Temperature range:**

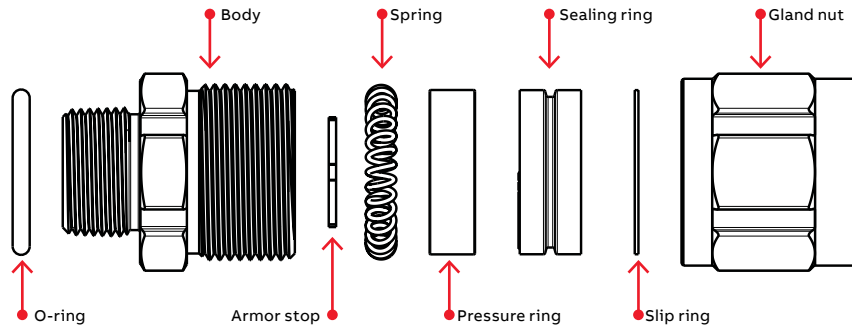
°C	-65	-45	-25	-5	0	5	60	90	105	120	150	250
°F	-85	-49	-13	23	32	41	140	194	221	248	302	482
	<b>Static</b>											

**Environmental ratings:**

**Ingress protection**

- Type 4 (when used with jacketed cables only)

**Exploded view**



- 01 Industrial factory
- 02 Solar panel field



— 01



— 02

# Iberville AMC Series

## Specification guide

Product selection									
Part no:	Thread (NPT)	Range over armour		Range over jacket		A	B	C	D
		Min.	Max.	Min.	Max.				
AMC-0501	½	<b>11.18</b> (0.440)	<b>16.76</b> (0.660)	<b>12.45</b> (0.490)	<b>19.81</b> (0.780)	<b>15.88</b> (0.625)	<b>54.10</b> (2.130)	<b>34.54</b> (1.360)	<b>13.87</b> (0.546)
AMC-0751	¾	<b>14.73</b> (0.580)	<b>21.84</b> (0.860)	<b>16.51</b> (0.650)	<b>25.40</b> (1.000)	<b>16.00</b> (0.630)	<b>60.45</b> (2.380)	<b>41.28</b> (1.625)	<b>18.39</b> (0.724)
AMC-1001	1	<b>19.30</b> (0.760)	<b>28.45</b> (1.120)	<b>21.59</b> (0.850)	<b>33.02</b> (1.300)	<b>19.94</b> (0.785)	<b>62.23</b> (2.450)	<b>52.58</b> (2.070)	<b>24.26</b> (0.955)
AMC-1251	1¼	<b>26.67</b> (1.050)	<b>34.93</b> (1.375)	<b>28.45</b> (1.120)	<b>38.10</b> (1.500)	<b>19.05</b> (0.750)	<b>73.41</b> (2.890)	<b>61.60</b> (2.425)	<b>30.48</b> (1.200)
AMC-1501	1½	<b>33.27</b> (1.310)	<b>40.89</b> (1.610)	<b>35.56</b> (1.400)	<b>44.96</b> (1.770)	<b>19.05</b> (0.750)	<b>74.42</b> (2.930)	<b>70.10</b> (2.760)	<b>36.58</b> (1.440)
AMC-2001	2	<b>39.62</b> (1.560)	<b>50.93</b> (2.005)	<b>42.42</b> (1.670)	<b>54.10</b> (2.130)	<b>20.65</b> (0.813)	<b>93.98</b> (3.700)	<b>92.08</b> (3.625)	<b>47.75</b> (1.880)
AMC-2501	2½	<b>48.64</b> (1.915)	<b>62.74</b> (2.470)	<b>50.29</b> (1.980)	<b>65.79</b> (2.590)	<b>32.51</b> (1.280)	<b>118.62</b> (4.670)	<b>108.20</b> (4.260)	<b>55.88</b> (2.200)
AMC-3001	3	<b>59.44</b> (2.340)	<b>76.71</b> (3.020)	<b>62.99</b> (2.480)	<b>82.30</b> (3.240)	<b>34.04</b> (1.340)	<b>129.67</b> (5.105)	<b>124.97</b> (4.920)	<b>69.95</b> (2.754)
AMC-3501	3½	<b>74.17</b> (2.920)	<b>88.90</b> (3.500)	<b>76.71</b> (3.020)	<b>95.76</b> (3.770)	<b>34.04</b> (1.340)	<b>126.24</b> (4.970)	<b>141.73</b> (5.580)	<b>82.40</b> (3.244)
AMC-4001	4	<b>88.52</b> (3.485)	<b>102.11</b> (4.020)	<b>91.31</b> (3.595)	<b>108.71</b> (4.280)	<b>34.04</b> (1.340)	<b>126.49</b> (4.980)	<b>154.94</b> (6.100)	<b>95.10</b> (3.744)

Note: Product must be installed in accordance with applicable national and local electrical codes.  
 Bold numbers are metric; numbers in parenthesis are in inches.

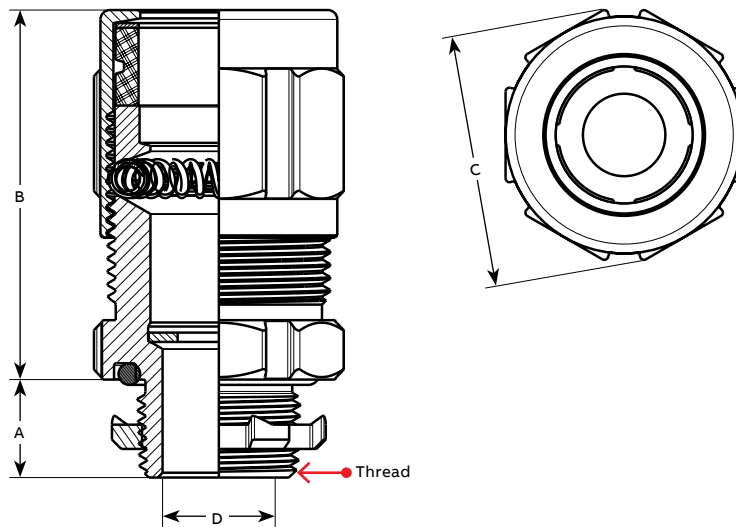


ABB Electrification Canada ULC  
 700 Thomas Avenue  
 Saint-Jean-sur-Richelieu, Quebec J2X 2M9  
 Tel.: +1 (450) 347 5318  
 Toll Free: +1 (800) 362 2952  
 Fax: +1 (450) 347 1976

[tnb.ca.abb.com](http://tnb.ca.abb.com)

© Copyright 2019 ABB. All rights reserved.  
 Specifications subject to change without notice.