



TUF-NM SERIES

NEMA-4X Certified



TYPICAL SPECIFICATIONS

Supply and install the **Ready-Lite® NEMA-4X Certified TUF-NM Series** battery unit. Specifically designed for high abuse areas, wet locations, and cold weather (CW option -40°C (-40°F)), the housing shall consist of a fully gasketed die-cast aluminum back plate and a clear heavy-duty UV resistant polycarbonate cover. The heads shall be fully adjustable without tools and the lamps shall be high efficiency MR16 LED. The standard unit shall be equipped with tamper-proof screws and bits. The **Ready-Lite® Advanced Diagnostic** Micro-controller charger board shall supply the rated load for a minimum of 30 minutes to 87.5% of the rated battery voltage. The charger incorporates lockout and brownout circuits, and low voltage disconnection. It protects the unit from over-current, short-circuit, and reverse polarity.

The unit shall be rated 120/347V, 60Hz. The unit shall have an output of _____ V. This unit shall self-test for 1 minute every 30 days, 10 minutes every 6 months and 30 minutes every 12 months. The unit shall be furnished with a non-intrusive magnetic test switch. A "Service Required" lamp shall be located near the test switch and flash when a fault is detected. A four-LED diagnostic display shall be located inside the equipment and shall identify the source of failure (battery, charger, circuitry, or lamps).

The unit shall be **Ready-Lite®** model: _____.

FEATURES

- Fully gasketed cast aluminum back plate with clear polycarbonate cover – NEMA-4X certified
- Comes standard with non-audible advanced diagnostic, 15 minutes time delay and lamp disconnect
- Audible warning and time delay functions can be enabled or disabled during installation
- Micro-controller diagnostic system tests, detects and indicates battery, charger circuitry or LED lamp failures
- Non-intrusive magnetic test switch
- Long-life, maintenance-free sealed lead-acid battery
- 1/2" rigid conduit entry on top and back
- Can be installed on 4" junction boxes
- Comes standard with tamper-proof screws and bit
- Cold weather option -40°C (-40°F)
- NSF certified for splash/ non-food zone applications
- Standard 120/347VAC input voltage
- Advanced diagnostics capabilities (specific load requirements)
- CSA C22.2 No. 141-15 certified
- IK10 impact resistance

See warranty details at: www.tnb.ca/en/brands/ready-lite

REPLACEMENT LAMPS

ORDERING CODE	LAMP TYPE	VOLTAGE/ WATTAGE
580.0097-RL	MR16, LED	6V-4W
580.0122-RL	MR16, LED	6V-5W
580.0093-RL	MR16, LED	12V-4W
580.0104-RL	MR16, LED	12V-5W
580.0106-RL	MR16, LED	12V-6W



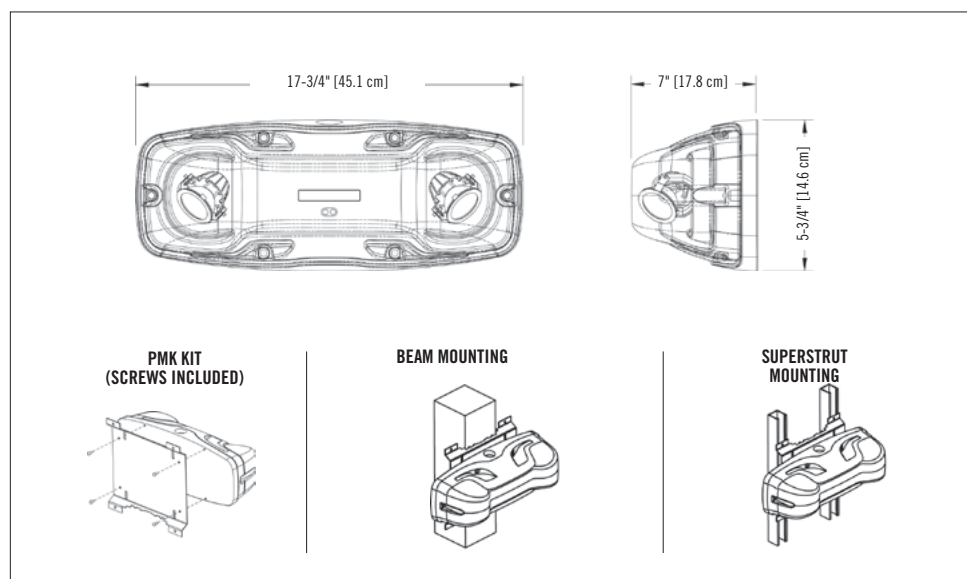
POWER CONSUMPTION AND UNIT RATING

MODEL	AC SPECS		WATTAGE CAPACITY				
			30MIN	1H00	1H30	2H00	4H00
LDX6-36NM	120/347VAC	0.15/0.06 A	36	21	15	12	6
LDX12-72NM		0.25/0.10 A	72	42	30	24	12
LDX12-108NM		0.25/0.10 A	108	63	45	36	18
Cold Weather 36W	120VAC	0.45/0.20 A	36	-	-	-	-
Cold Weather 72/108W		0.85 A	72/108	-	-	-	-

*Note: capacity depends on the ambient temperature

DIMENSIONS

Dimensions are approximate and subject to change. Not suitable for ceiling installation.



TUF-NM SERIES

NEMA-4X Certified

ORDERING INFORMATION

SERIES	CAPACITY	CABINET	# OF HEADS	LAMP TYPE	COLOUR	AC VOLTAGE	OPTIONS
LDX6= 6V LDX12= 12V	-36= 6V-36W -72= 12V-72W -108= 12V-108W	NM= NEMA-4X	2= 2 heads	LD1= MR16 LED, 6V-4W LD2= MR16 LED, 6V-5W LD7= MR16 LED, 12V-4W LD9= MR16 LED, 12V-5W LD10= MR16 LED, 12V-6W	BK= black Blank= white GY= grey	277= 277VAC Blank= 120/347VAC	Blank= auto-diagnostic, non-audible CW1= cold weather 120VAC CW3= cold weather 347VAC ¹ NEXP= Nexus®Pro IoT NEXRF= wireless Nexus® system interface PMK-RL= universal bracket (sold separately)
Note: Minimum lamp load required: 20% of unit capacity							¹ Available in 6V only

EXAMPLE: LDX6-36NM2LD1