



R-SN SERIES

All Metal "Sortie"
Combination Unit

TYPICAL SPECIFICATIONS

Supply and install the **Ready-Lite® R-SN Series** LED "SORTIE" Exit Sign with power pack series. The exit housing and the faceplate(s) shall be constructed of steel. The Exit Sign shall have a maximum depth of 2-1/2". The faceplate(s) shall come standard with knockout chevrons.

The light source shall be light emitting diodes (LED). Red LED technology shall be **ALINGAP**. The LED lamps shall provide illumination in normal and emergency operation and shall be mounted inside the exit housing, not on the face. An LED-sensitive diffuser shall be mounted behind the legend to provide the 6" high by 3/4" stroke letters with even illumination. The power pack shall be a completely self-contained emergency unit with its own charger and rechargeable battery. The housing shall be made of steel. The unit shall be designed to furnish exit illumination from the normal AC source. When a power failure occurs, the mounted heads along with the Exit Sign are illuminated in emergency mode for a minimum of 30 minutes. The power pack shall be furnished with a test switch and high charge pilot light. The heads shall require no tools to adjust and aim. The heads will be constructed of durable thermoplastic and use 6V, 4W lamps or as otherwise specified.

The Exit Sign shall be CSA-C860 approved and meets CSA 22.2 No.141.

The equipment shall be **Ready-Lite®** Model: _____

WIRE GUARDS

460.0078-RL	wall mount
460.0060-RL	ceiling mount

POWER CONSUMPTION AND UNIT RATING

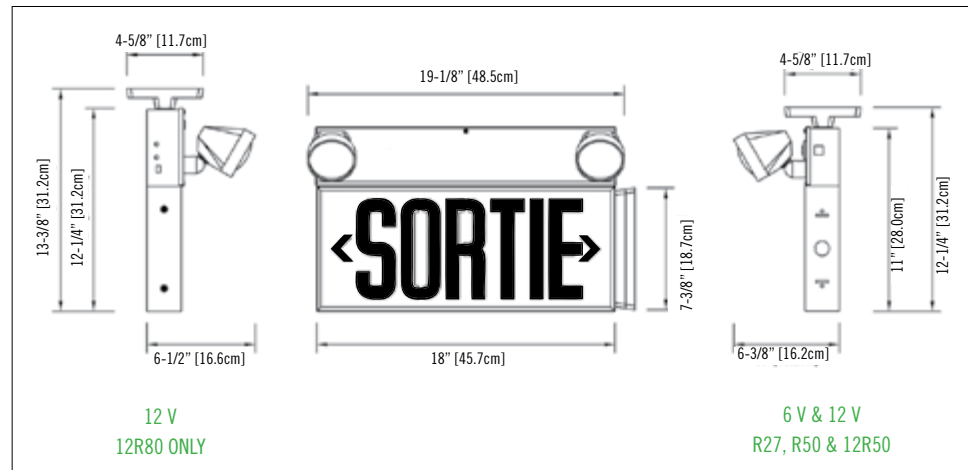
MODEL	AC SPECS	WATTAGE CAPACITY				
		30MIN	1H00	1H30	2H00	4H00
Sortie Sign Module		less than 2W	-	-	-	-
R27= 6V-27W	120/347VAC	0.25/0.08 A	27	15	12	9
R50= 6V-50W		0.25/0.08 A	50	30	20	16
12R50= 12V-50W		0.25/0.08 A	50	30	20	16
12R80= 12V-80W		0.25/0.08 A	80	45	36	27

FEATURES

- Pre-assembled for ease of installation
- Metal housing with baked enamel finish – will not yellow
- Easy access to wiring entry
- Exit Sign with long life, **ALINGAP** LED light source
- Energy efficient, consumes less than 3W in stand-by mode
- Power pack comes standard with premium Lead-Calcium battery
- Other colours and options are available upon request
- CSA certified, meets or exceeds CSA 22.2 No. 141 requirements

DIMENSIONS

Dimensions are approximate and subject to change.



ORDERING INFORMATION

SERIES	# OF HEADS	HEAD STYLE AND WATTAGE	MOUNTING FACES	VOLTAGE	HOUSING COLOUR	OPTIONS
R27= 6V-27W R50= 6V-50W 12R50= 12V-50W 12R80= 12V-80W	Blank= no heads 1= one head 2= two heads	Blank= no heads LD1= MR16 LED, 6V-4W LD2= MR16 LED, 6V-5W LD7= MR16 LED, 12V-4W LD9= MR16 LED, 12V-5W LD10= MR16 LED, 12V-6W Other Styles available consult your sales representative	S1= single face, wall or ceiling mount SN= universal steel mount canopy with two faceplates	Blank= 120/347VAC	W= factory white BK= black TA= textured aluminum ¹	Blank= no options D3= time delay (15 mins.) TP= tamper-proof screws ¹ ¹ 990.0119-RL= Tamper-proof bit (sold separately)

EXAMPLE: R272LD1S1W