



## RSC SERIES

Steel Pictogram  
Combination Unit

### TYPICAL SPECIFICATION

Supply and install **Ready-Lite® RSC Series** combination emergency light battery unit and pictogram Exit Sign. The unit shall be made of solid steel sheet metal and be suitable for universal mounting: wall, end, or ceiling. The legend housing shall have a maximum depth of 2-1/8". The legend face plate(s) shall be constructed of robust clear polycarbonate panel(s) with a border coloured factory-white. The light source shall be white light-emitting diodes (LED) and shall provide even illumination in normal and emergency operation. The power pack shall include one circuit board with test switch and pilot light for battery charger and legend LED driver. The unit shall include one 6V or 12V, maintenance-free, sealed Lead-Calcium battery and shall provide minimum 30 minutes of emergency lighting upon AC power failure. The electrical power available for emergency lights shall be 28W or up to 72W, for 6V and 50W or up to 80W for 12V, as specified. The emergency heads shall require no tools to adjust and aim. The equipment shall meet or exceed the requirements of CSA 22.2 No.141-15 standard.

The equipment shall be **Ready-Lite®** Model: \_\_\_\_\_

### FEATURES

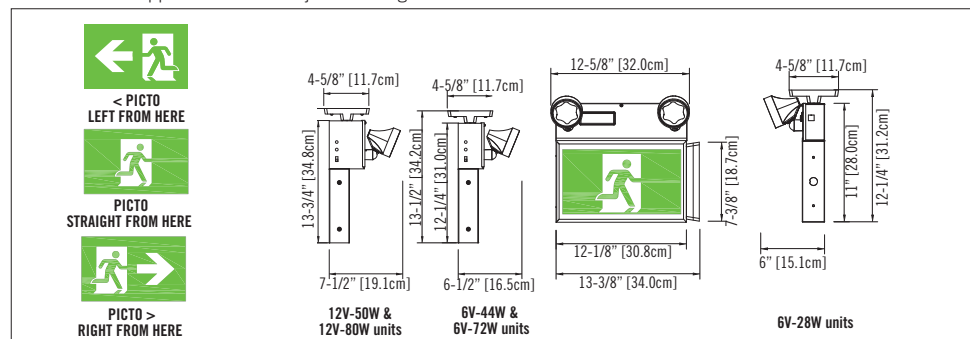
- Universal mounting: end, wall or ceiling
- Long-life white LED light sources is warranted for ten (10) years
- Sealed, maintenance-free, 6V or 12V Lead-Calcium battery
- Remote load capacity: 80W up to 560' of egress illumination when using LED remote heads
- Advanced diagnostics capabilities (specific load requirements)
- Meets or exceeds CSA 22.2 No.141-15  
See warranty details at: [www.tnb.ca/en/brands/ready-lite](http://www.tnb.ca/en/brands/ready-lite)

### WIRE GUARDS

460.0081-RL	wall mount
460.0060-RL	ceiling mount

### DIMENSIONS

Dimensions are approximate and subject to change.



### POWER CONSUMPTION

MODEL	AC SPECS	EMERGENCY POWER AVAILABLE FOR LAMPS					
		30MIN	1H00	1H30	2H00	4H00	
Pictogram Module	120/347VAC	less than 1.5W	-	-	-	-	
RSC28		0.13 / 0.05 A	28	16	12	9	-
RSC44		0.13 / 0.05 A	44	26	18	15	7
RSC-1250		0.25 / 0.09 A	50	29	21	16	8
RSC-1280		0.25 / 0.09 A	80	46	32	27	13

### ORDERING INFORMATION

SERIES	POWERPACK	HOUSING COLOUR	HEADS	HEAD STYLE AND WATTAGE	VOLTAGE	OPTIONS
RSC= pictogram steel combo exit sign	28= 6V-28W 44= 6V-44W 1250= 12V-50W 1280= 12V-80W	B= black W= factory white	1= one head 2= two heads Blank= no heads	Blank= no heads LD1= MR16 LED, 6V-4W LD2= MR16 LED, 6V-5W LD7= MR16 LED, 12V-4W LD9= MR16 LED, 12V-5W LD10= MR16 LED, 12V-6W	Blank= 120/347VAC U2= 120/277VAC input	AD= auto-diagnostics <sup>1</sup> ADN= auto-diagnostics, non-audible <sup>1</sup> D3= time delay (15 minutes) D4= Arrow Down 45° D9= Arrow Down DF= double face sign NEXP= NEXUS®Pro IoT <sup>1</sup> NEXRF= wireless NEXUS® system interface <sup>1</sup> TP= tamper-proof screws <sup>2</sup> U4= Arrow Up 45° U9= Arrow Up

EXAMPLE: RSC28W2LD1