

Survive-All™ NXM Series

NEMA-4X



Features

- Fully gasketed cast aluminum back plate with clear polycarbonate cover – NEMA-4X certified
- Comes standard with non-audible advanced diagnostic, 15 minutes time delay and lamp disconnect
- Audible warning and time delay functions can be enabled or disabled during installation
- Micro-controller diagnostic system tests, detects and indicates battery, charger circuitry or LED lamp failures
- Non-intrusive magnetic test switch
- Long-life, maintenance-free sealed lead-acid battery
- 1/2" rigid conduit entry on top and back
- Can be installed on 4" junction boxes
- Comes standard with tamper-proof screws and bit
- Cold weather option -40°C (-40°F)
- NSF Certified for food processing plants
- Standard 120/347VAC input voltage
- Meets and exceeds CSA C22.2 No. 141-15 certified
- Advanced diagnostics capabilities (specific load requirements)
- IK10 impact resistance
- **Warranty details at: www.emergi-lite.ca**



NEMA-4X



nexus® Nexus®Pro 

Typical specifications

Supply and install the **Emergi-Lite® NEMA-4X Certified Survive-All™ NXM Series** battery unit. Specifically designed for high abuse areas, wet locations, and cold weather (CW option -40°C (-40°F)), the housing shall consist of a fully gasketed Die-Cast with a cast aluminum back plate and a clear heavy-duty UV resistant polycarbonate cover. The heads shall be fully adjustable without tools and the lamps shall be high efficiency MR16 LED. The standard unit shall be equipped with tamper-proof screws and bits.

The **Emergi-Lite®** Advanced Diagnostic micro-controller charger board shall supply the rated load for a minimum of 30 minutes to 87.5% of the rated battery voltage. The charger incorporates lockout and brownout circuits, and low voltage disconnection. It protects the unit from over-current, shortcircuit, and reverse polarity. The unit shall be rated 120/347V, 60Hz.

The unit shall have an output of _____ V. This unit shall self-test for 1 minute every 30 days, 10 minutes every 6 months and 30 minutes every 12 months. The unit shall be furnished with a non-intrusive magnetic test switch. A "Service Required" lamp shall be located near the test switch and flash when a fault is detected. A four-LED diagnostic display shall be located inside the equipment and shall identify the source of failure (battery, charger, circuitry, or lamps).

The unit shall be CSA 22.2 No. 141-15 certified

The equipment shall be **Emergi-Lite®** model: _____

Wire guards

Ordering code	Description
460.0031-E	Wall mount

Replacement lamps

Ordering code	Lamp type	Voltage/wattage
580.0097-E	MR16 LED	6V-4W
580.0122-E	MR16 LED	6V-5W
580.0093-E	MR16 LED	12V-4W
580.0104-E	MR16 LED	12V-5W
580.0106-E	MR16 LED	12V-6W

Survive-All™ NEMA 4X & NSF certified family



ENC Series



EN Series



EF39 & EF39P Series

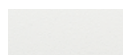
Housing colour



Black



Grey



White

EMERGI-LITE

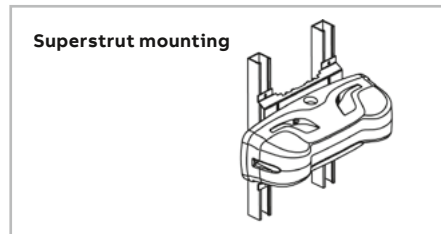
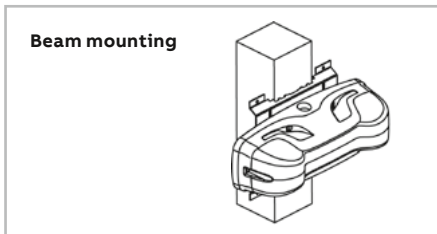
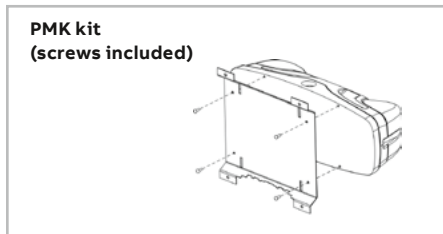
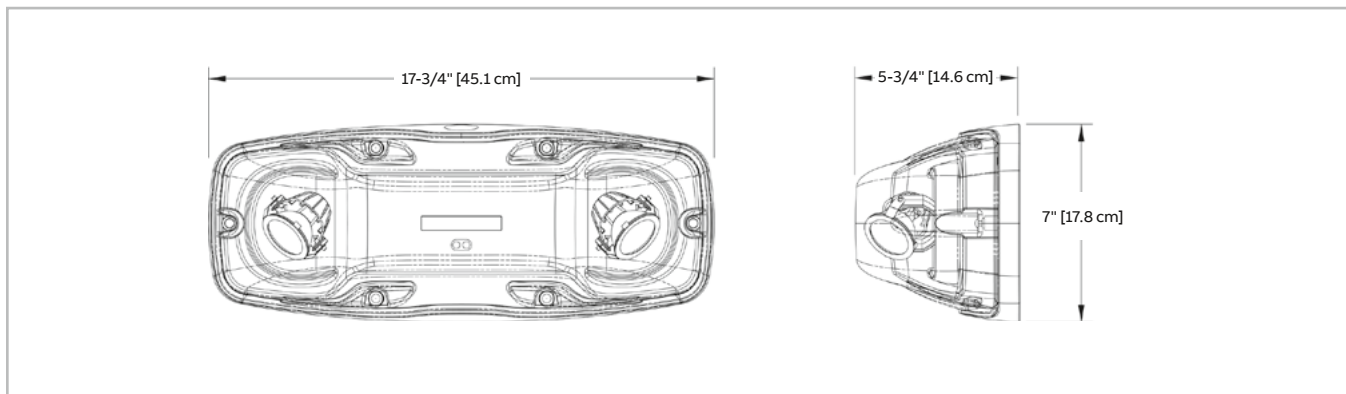
The Bluetooth® word mark and logos are registered trademarks owned by Bluetooth SIG, Inc. and any use of such marks by ABB Inc. is under license. Other trademarks and trade names are those of their respective owners.

Survive-All™ NXM Series

NEMA-4X

Dimensions

Dimensions are approximate and subject to change.



Power consumption and unit rating

Model	AC specs	Wattage capacity				
		30 min	1H00	1H30	2H00	4H00
06NXM36	0.15/0.06 A	36	21	15	12	6
12NXM72	120/347VAC	72	42	30	24	12
12NXM108		108	63	45	36	18
Cold weather 36W	0.45/0.20 A	36	-	-	-	-
Cold weather 72/108W	120VAC	0.85 A	72/108	-	-	-

Note: Capacity depends on the ambient temperature.

Ordering information

Series	Colour	Capacity	Voltage
06NXM= 6V, NEMA-4X	B= black	36= 6V-36W	2= 277VAC
12NXM= 12V, NEMA-4X	G= grey	72= 12V-72W	Blank= 120/347VAC
	W= white	108= 12V-108W	
Options		# of heads	Lamps
690.0454-E= additional-bit for tamper-proof screws (sold separately)		/2= 2 heads	LA= MR16 LED, 6V-4W
Blank= auto-diagnostic, non audible			LB= MR16 LED, 6V-5W
CW1= cold weather 120VAC			LG= MR16 LED, 12V-4W
CW3= cold weather 347VAC ¹			LI= MR16 LED, 12V-5W
NEXP= Nexus® Pro IoT			LJ= MR16 LED, 12V-6W
NEXRF= wireless Nexus® system interface			
PMK-E= universal bracket (sold separately)			

Note: Minimum lamp load required: 20% of unit capacity

Example: 06NXMW36/2LA

¹Available in 6V only